

ATEX FANS



Ventiladores ATEX

MBPCX

Plastic atex fan with forward impeller

Ventilador de plástico atex con turbina a acción



EN

MANUFACTURING FEATURES

- Antistatic PE-el housing.
- Forward curved impeller in PP plastic.
- Motor support made of rolled steel sheet with epoxy powder finishing coat.
- Stainless steel nuts and bolts.
- Standard asynchronous squirrel-cage motor, IP-55, class F insulation. Standard voltages 230/400V 50Hz. Equipped with II2G Eex-d motors

APPLICATIONS

Designed for inline installation, they are suitable for:

- Corrosive air transport.
- Chemical and petrochemical industry.
- Laboratories and gas cabinets.
- General ventilation in closed environments classified as ATEX zone 2.
- Maximum working temperature: 50°C.

UNDER REQUEST

- 60Hz fans and special voltages fans.
- Stainless steel motor support.

In compliance with the 2014/34/UE Directive. ATEX II2G built. Certified II3G with certified ATEX EEx-d II2G motor for areas 2 (gas) or 22 (dust).

ES

CARACTERÍSTICAS CONSTRUCTIVAS

- Carcasa fabricada en PE-el antiestático. Turbina a acción en plástico PP. Soporte motor fabricado en chapa de acero recubierto contra la corrosión en polvo de resina epoxy.
- Tornillería en acero inoxidable
- Motor asíncrono normalizado de jaula de ardilla con protección IP-55 y aislamiento clase F. Voltajes estándar 230/400V 50Hz. Modelos ATEX equipados con motores II2G Eex-d.
- Orientación estándar: LG270.

APLICACIONES

Diseñados para instalación en conducto, son indicados para:

- Transporte de aire con componentes corrosivos.
- Industria química y petroquímica.
- Laboratorios y vitrinas de gases.
- Ventilación en locales clasificados ATEX zona 2.
- Temperatura máxima de trabajo en continuo: 50°C.

BAJO DEMANDA

- Ventiladores para trabajar a 60Hz y voltajes especiales.
- Pie soporte en acero inoxidable.
- Orientación: RD0, RD45, RD90, RD135, RD180, RD225, RD270, RD315, LG0, LG45, LG90, LG135, LG180, LG225, LG315.

En cumplimiento de la directiva 2014/34/UE. Construido según ATEX II2G con certificación ATEX II3G. Motor ATEX IIG EEx-d para zonas 2 (gas) o 22 (polvo).

ACCESSORIES

accesorios



THREE PHASE RANGE / serie trifásica

2 POLES / 2 polos

| Code | Model | R.P.M | Rated I (A) 400V | Rated Power kW | Air flow m³/h | Sound dB (A) | Weight Kg | Connection diagram |
|-----------|--------------------|-------|------------------|----------------|---------------|--------------|-----------|--------------------|
| 503102014 | MBPCX 20 T2 0,25kW | 2850 | 0,74 | 0,25 | 800 | 68 | 17 | 1 |
| 503102517 | MBPCX 25 T2 0,75kW | 2850 | 2 | 0,75 | 1.500 | 73 | 24 | 1 |
| 503102818 | MBPCX 28 T2 1,1kW | 2850 | 2,6 | 1,1 | 2.100 | 78 | 33 | 1 |
| 503103119 | MBPCX 31 T2 1,5kW | 2850 | 3,95 | 1,5 | 2.510 | 82 | 45 | 1 |
| 503103527 | MBPCX 35 T2 2,2kW | 2850 | 5,4 | 2,2 | 2.710 | 81 | 82 | 1 |

4 POLES / 4 polos

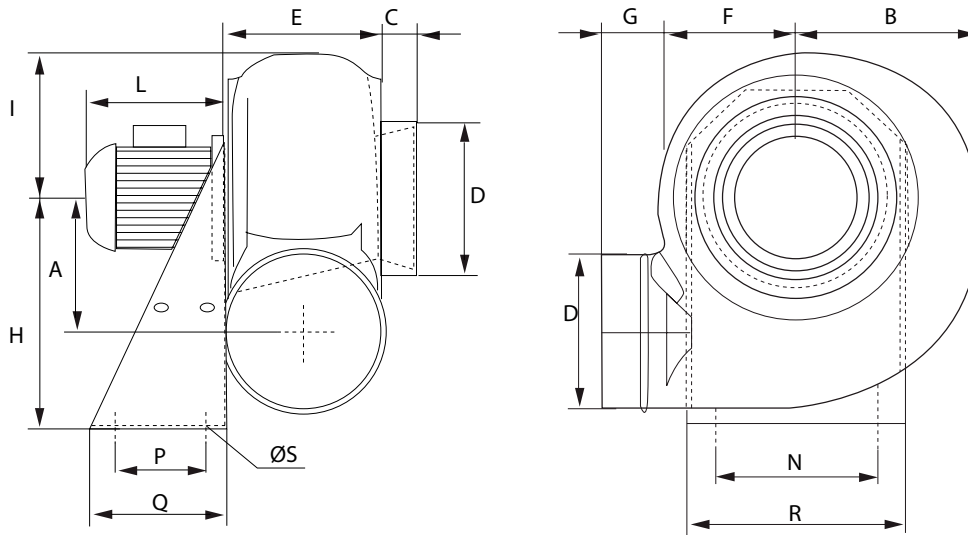
| Code | Model | R.P.M | Rated I (A) 400V | Rated Power kW | Air flow m³/h | Sound dB (A) | Weight Kg | Connection diagram |
|-----------|--------------------|-------|------------------|----------------|---------------|--------------|-----------|--------------------|
| 503102039 | MBPCX 20 T4 0,12kW | 1370 | 0,71 | 0,12 | 440 | 52 | 17 | 1 |
| 503102540 | MBPCX 25 T4 0,18kW | 1370 | 0,76 | 0,18 | 780 | 57 | 18 | 1 |
| 503102840 | MBPCX 28 T4 0,18kW | 1370 | 0,76 | 0,18 | 1.100 | 62 | 23 | 1 |
| 503103141 | MBPCX 31 T4 0,25kW | 1400 | 0,84 | 0,25 | 1.400 | 67 | 30 | 1 |
| 503103542 | MBPCX 35 T4 0,37kW | 1450 | 1,2 | 0,37 | 2.110 | 65 | 53 | 1 |
| 503104044 | MBPCX 40 T4 0,75kW | 1410 | 2,1 | 0,75 | 2.710 | 69 | 47 | 1 |
| 503104545 | MBPCX 45 T4 1,5kW | 1450 | 3,8 | 1,5 | 3.650 | 71 | 85 | 1 |
| 503105054 | MBPCX 50 T4 2,2kW | 1450 | 5,8 | 2,2 | 5.440 | 75 | 140 | 1 |



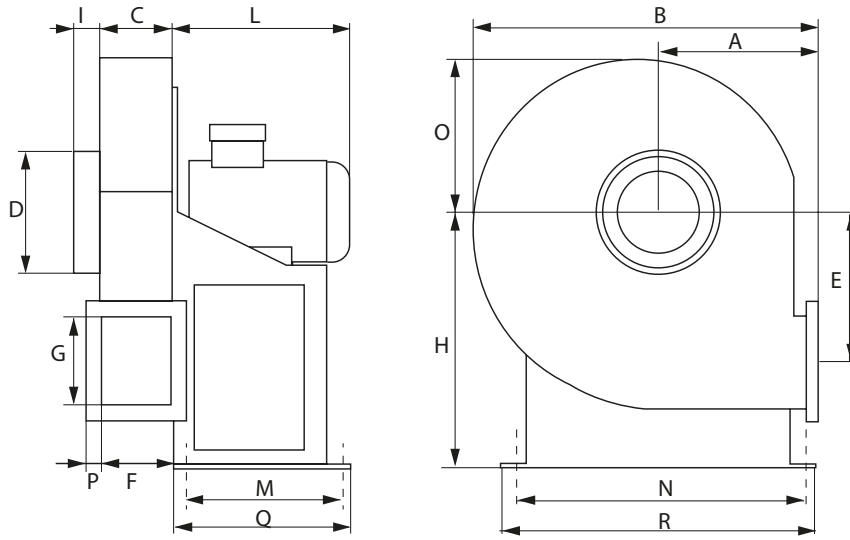
6 POLES / 6 polos

| Code | Model | R.P.M | Rated I (A) 400V | Rated Power kW | Air flow m³/h | Sound dB (A) | Weight Kg | Connection diagram |
|-----------|--------------------|-------|---------------------|-------------------|------------------|-----------------|--------------|-----------------------|
| 503103167 | MBPCX 31 T6 0,12kW | 930 | 0,55 | 0,12 | 920 | 56 | 30 | 1 |
| 503104069 | MBPCX 40 T6 0,25kW | 920 | 1 | 0,25 | 1.930 | 58 | 41 | 1 |
| 503105072 | MBPCX 50 T6 0,75kW | 900 | 2,2 | 0,75 | 4.090 | 63 | 125 | 1 |
| 503105678 | MBPCX 56 T6 2,2kW | 900 | 5,2 | 2,2 | 8.100 | 66 | 130 | 1 |

DIMENSIONS / dimensiones



| Model | A | B | C | Ø D | E | F | G | H | I | L | N | P | Q | R | Ø S |
|--------------------|-----|-----|----|-----|-----|-----|----|-----|-----|-----|-----|-----|-----|-----|-----|
| MBPCX 20 T2 0,25kW | 142 | 187 | 40 | 125 | 120 | 150 | 60 | 250 | 165 | 195 | 200 | 100 | 140 | 235 | 11 |
| MBPCX 20 T4 0,12kW | 142 | 187 | 40 | 125 | 120 | 150 | 60 | 250 | 165 | 190 | 200 | 100 | 140 | 235 | 11 |
| MBPCX 25 T2 0,75kW | 183 | 228 | 40 | 160 | 153 | 188 | 60 | 310 | 210 | 220 | 255 | 100 | 140 | 290 | 11 |
| MBPCX 25 T4 0,18kW | 183 | 228 | 40 | 160 | 153 | 188 | 60 | 310 | 210 | 190 | 255 | 100 | 140 | 290 | 11 |
| MBPCX 28 T2 1,1kW | 208 | 274 | 40 | 180 | 160 | 204 | 60 | 350 | 230 | 190 | 277 | 120 | 190 | 316 | 11 |
| MBPCX 28 T4 0,18kW | 208 | 274 | 40 | 180 | 160 | 204 | 60 | 350 | 230 | 240 | 277 | 120 | 190 | 316 | 11 |
| MBPCX 31 T2 1,5kW | 230 | 310 | 40 | 200 | 170 | 220 | 60 | 410 | 245 | 290 | 320 | 150 | 230 | 355 | 11 |
| MBPCX 31 T4 0,25kW | 230 | 310 | 40 | 200 | 170 | 220 | 60 | 410 | 245 | 210 | 320 | 150 | 230 | 355 | 11 |
| MBPCX 31 T6 0,12kW | 230 | 310 | 40 | 200 | 170 | 220 | 60 | 410 | 245 | 210 | 320 | 150 | 230 | 355 | 11 |
| MBPCX 40 T4 0,75kW | 290 | 380 | 40 | 250 | 194 | 265 | 80 | 495 | 330 | 240 | 330 | 170 | 250 | 365 | 11 |
| MBPCX 40 T6 0,25kW | 290 | 380 | 40 | 250 | 194 | 265 | 80 | 495 | 330 | 220 | 330 | 170 | 250 | 365 | 11 |

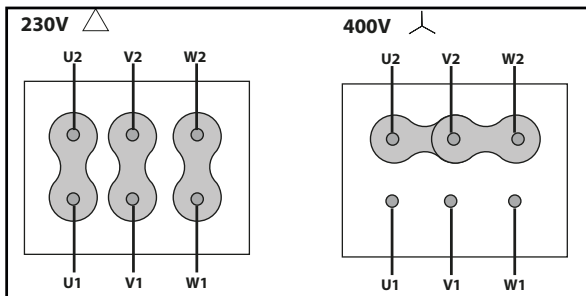


| Model | A | B | C | D | E | F | G | H | I | L | M | N | O | Q | R |
|--------------------|-----|-----|-----|-----|-----|-----|-----|-----|----|-----|-----|-----|-----|-----|-----|
| MBPCX 35 T2 2,2kW | 270 | 598 | 185 | 225 | 275 | 175 | 250 | 445 | 50 | 270 | 150 | 350 | 40 | 230 | 385 |
| MBPCX 35 T4 0,37kW | 270 | 598 | 185 | 225 | 275 | 175 | 252 | 445 | 50 | 210 | 150 | 350 | 285 | 230 | 385 |
| MBPCX 45 T4 1,5kW | 340 | 722 | 220 | 280 | 292 | 210 | 300 | 550 | 80 | 260 | 170 | 370 | 350 | 250 | 410 |
| MBPCX 50 T4 2,2kW | 400 | 890 | 270 | 315 | 377 | 260 | 365 | 630 | 80 | 355 | 197 | 290 | 50 | 275 | 340 |
| MBPCX 50 T6 0,75kW | 400 | 890 | 270 | 315 | 377 | 260 | 365 | 630 | 80 | 320 | 197 | 290 | 50 | 275 | 340 |
| MBPCX 56 T6 2,2kW | 438 | 998 | 320 | 400 | 416 | 310 | 460 | 710 | 80 | 380 | 237 | 289 | 50 | 315 | 340 |

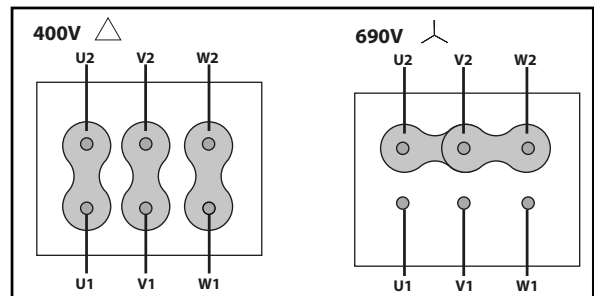
CONNECTION DIAGRAMS / esquema de conexiones

1 THREE PHASE MOTORS 1 SPEED / motores trifásicos 1 velocidad

230/400V



400/690V





CHARACTERISTIC CURVES / curvas características

1 MBPCX 20 T2 0,25kW

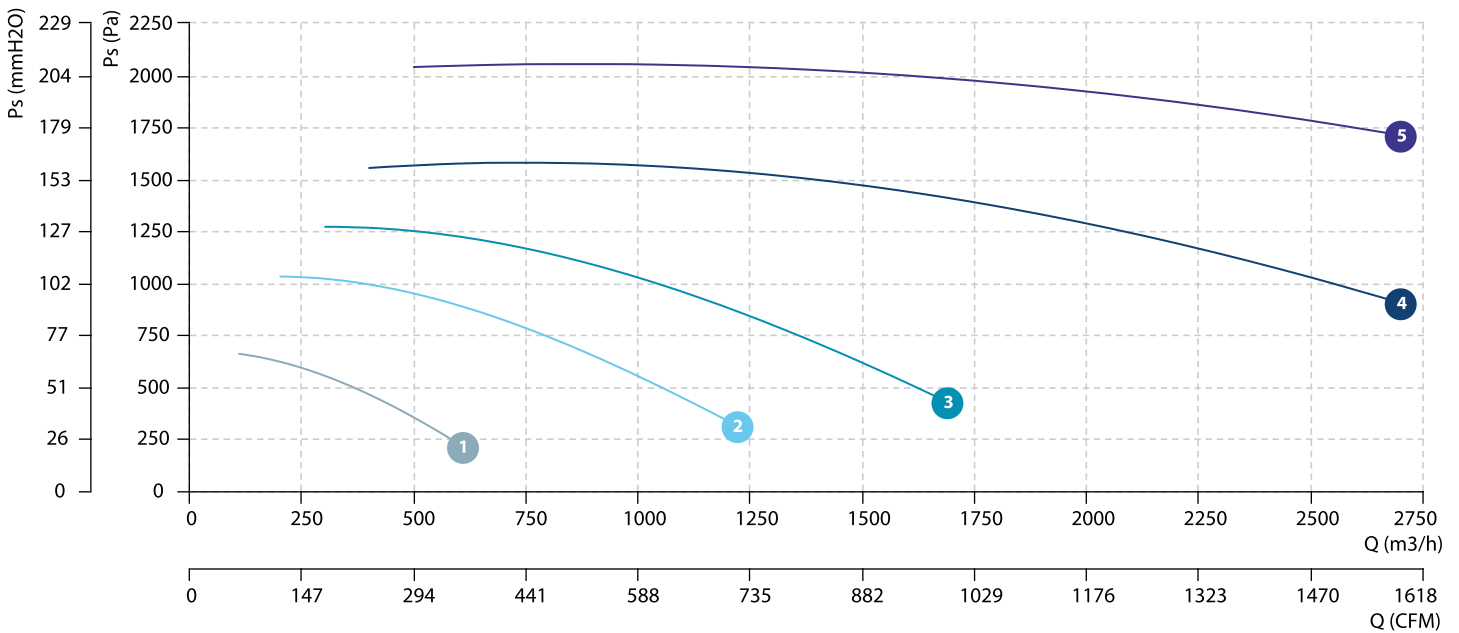
2 MBPCX 25 T2 0,75kW

3 MBPCX 28 T2 1,1kW

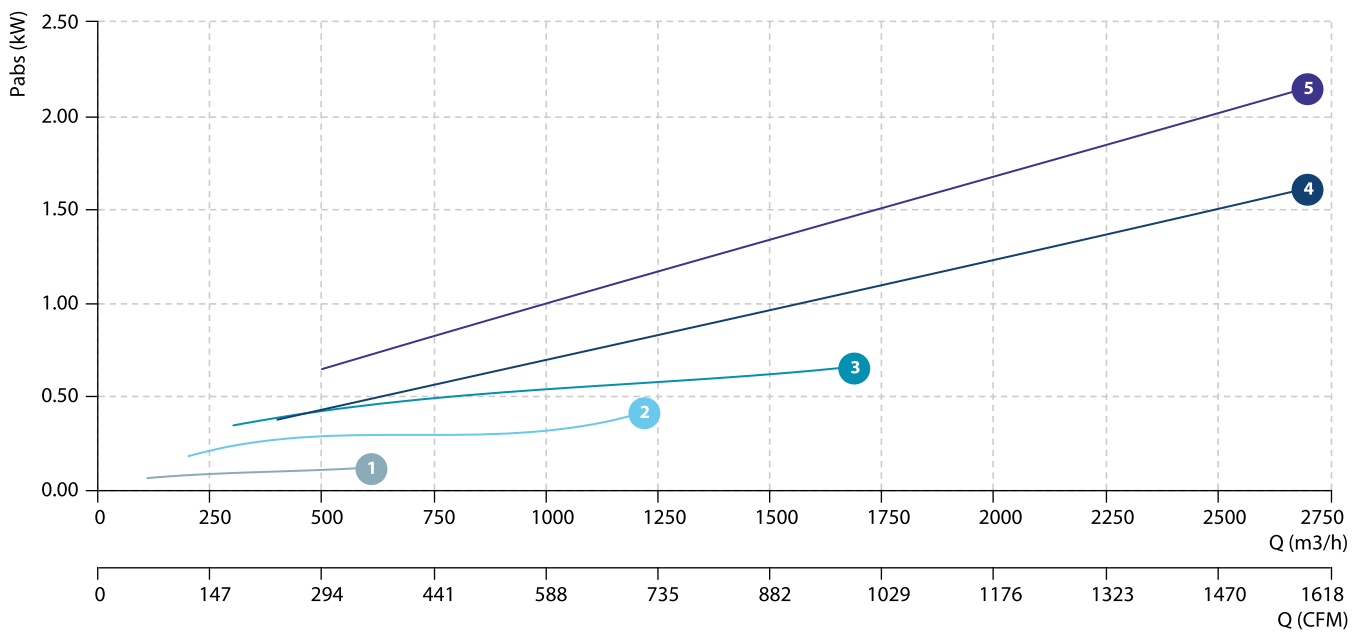
4 MBPCX 31 T2 1,5kW

5 MBPCX 35 T2 2,2kW

AIR FLOW- PRESSURE / caudal - presión



AIR FLOW- ABSORBED POWER / caudal - potencia absorbida



ATEX FANS



Ventiladores ATEX

1 MBPCX 20 T4 0,12kW

2 MBPCX 25 T4 0,18kW

3 MBPCX 28 T4 0,18kW

4 MBPCX 31 T4 0,25kW

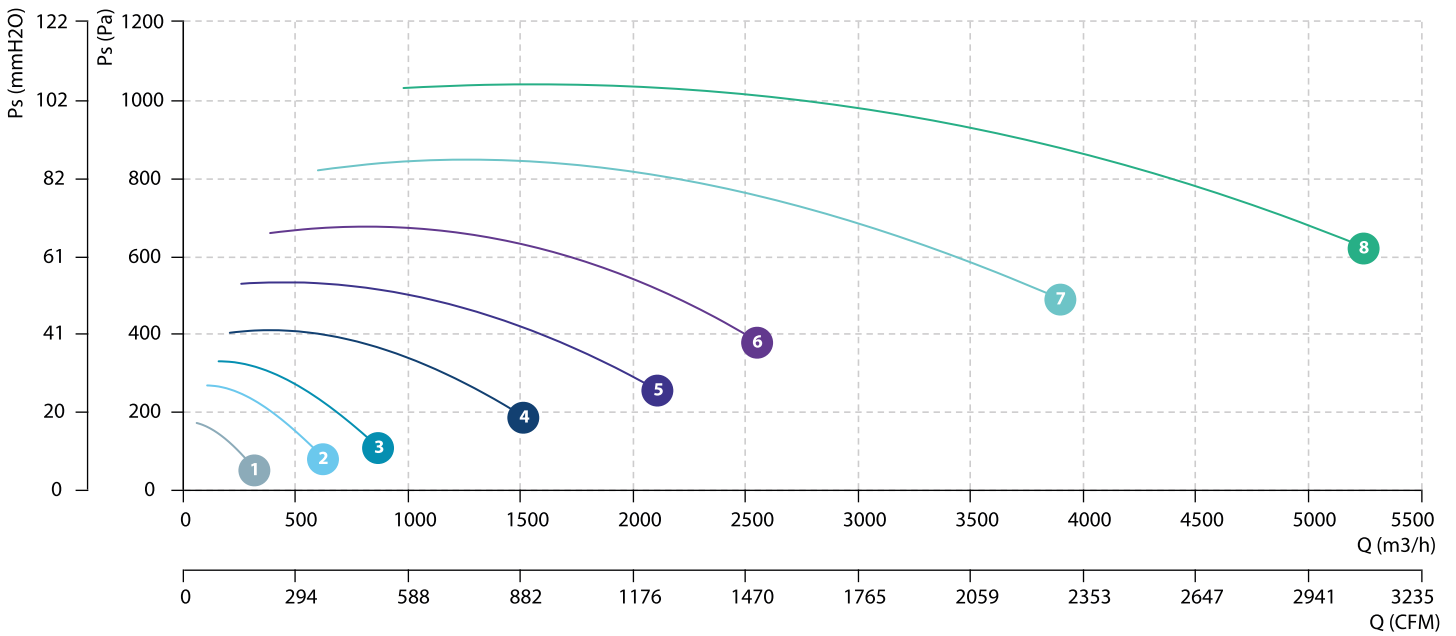
5 MBPCX 35 T4 0,37kW

6 MBPCX 40 T4 0,75kW

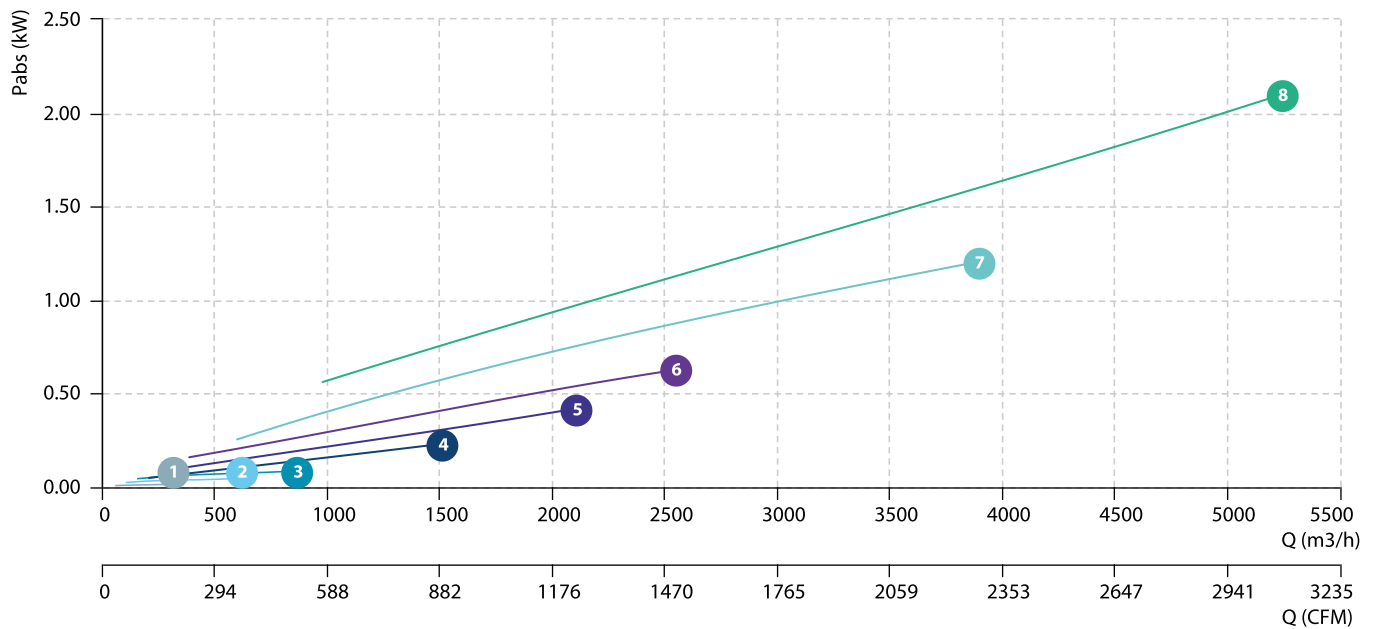
7 MBPCX 45 T4 1,5kW

8 MBPCX 50 T4 2,2kW

AIR FLOW- PRESSURE / caudal - presión



AIR FLOW- ABSORBED POWER / caudal - potencia absorbida





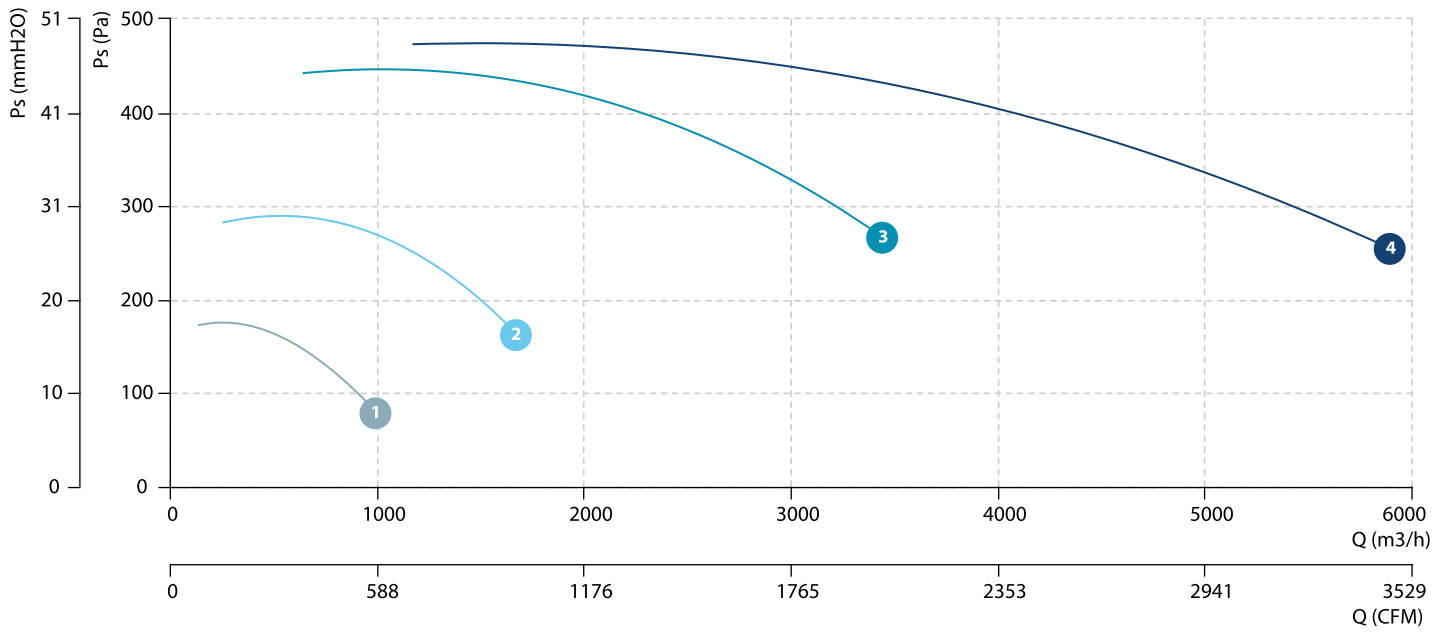
1 MBPCX 31 T6 0,12kW

2 MBPCX 40 T6 0,25kW

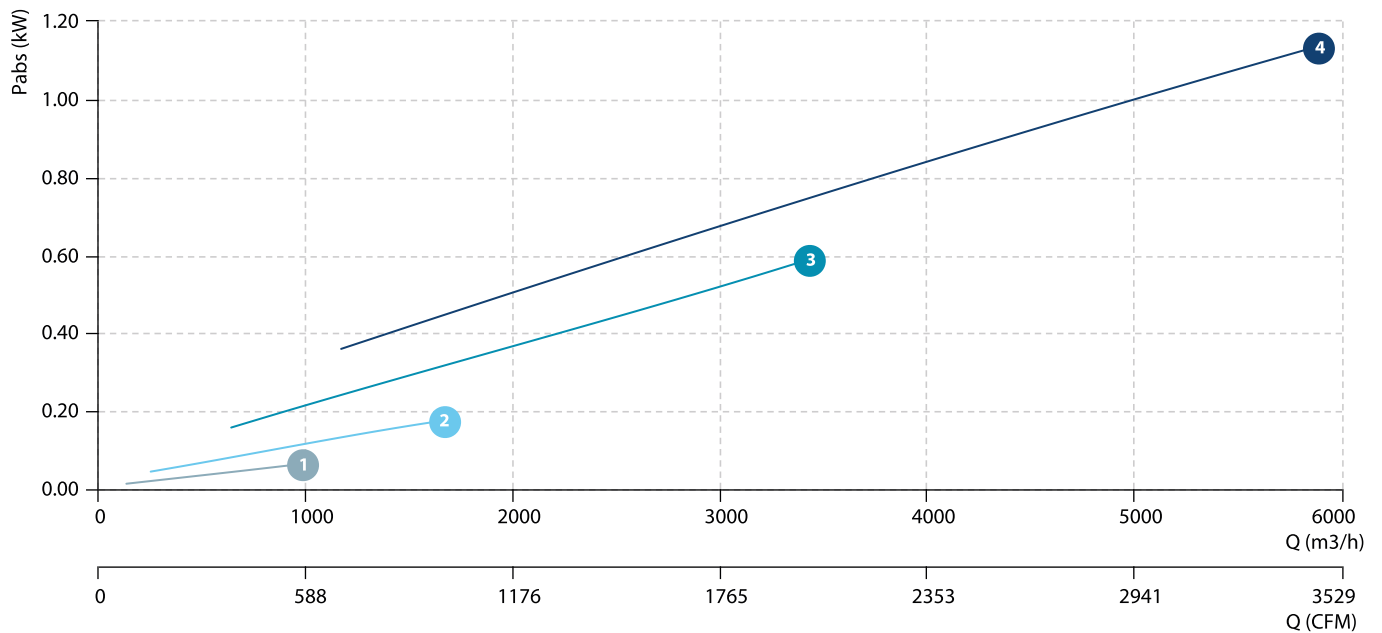
3 MBPCX 50 T6 0,75kW

4 MBPCX 56 T6 2,2kW

AIR FLOW- PRESSURE / caudal - presión



AIR FLOW- ABSORBED POWER / caudal - potencia absorbida





SOUND POWER / potencia sonora

2 POLES / 2 polos

| | | SOUND POWER Lw dB (A) | | | | | | | | |
|--------------------|--------------------|-----------------------|--------|--------|--------|---------|---------|---------|---------|-------|
| | | 63 Hz | 125 Hz | 250 Hz | 500 Hz | 1000 Hz | 2000 Hz | 4000 Hz | 8000 Hz | Total |
| MBPCX 20 T2 0,25kW | Inlet / Aspiración | 86 | 88 | 86 | 84 | 86 | 78 | 70 | 62 | 94 |
| MBPCX 25 T2 0,75kW | Inlet / Aspiración | 92 | 94 | 92 | 90 | 92 | 84 | 76 | 68 | 99 |
| MBPCX 28 T2 1,1kW | Inlet / Aspiración | 96 | 98 | 96 | 94 | 96 | 88 | 80 | 72 | 104 |
| MBPCX 31 T2 1,5kW | Inlet / Aspiración | 101 | 103 | 101 | 99 | 101 | 93 | 85 | 77 | 108 |
| MBPCX 35 T2 2,2kW | Inlet / Aspiración | 99 | 101 | 99 | 97 | 99 | 91 | 83 | 75 | 107 |

4 POLES / 4 polos

| | | SOUND POWER Lw dB (A) | | | | | | | | |
|--------------------|--------------------|-----------------------|--------|--------|--------|---------|---------|---------|---------|-------|
| | | 63 Hz | 125 Hz | 250 Hz | 500 Hz | 1000 Hz | 2000 Hz | 4000 Hz | 8000 Hz | Total |
| MBPCX 20 T4 0,12kW | Inlet / Aspiración | 70 | 72 | 70 | 68 | 70 | 62 | 54 | 46 | 78 |
| MBPCX 25 T4 0,18kW | Inlet / Aspiración | 76 | 78 | 76 | 74 | 76 | 68 | 60 | 52 | 83 |
| MBPCX 28 T4 0,18kW | Inlet / Aspiración | 81 | 83 | 81 | 79 | 81 | 73 | 65 | 57 | 88 |
| MBPCX 31 T4 0,25kW | Inlet / Aspiración | 85 | 87 | 85 | 83 | 85 | 77 | 69 | 61 | 93 |
| MBPCX 35 T4 0,37kW | Inlet / Aspiración | 83 | 85 | 83 | 81 | 83 | 75 | 67 | 59 | 91 |
| MBPCX 40 T4 0,75kW | Inlet / Aspiración | 88 | 90 | 88 | 86 | 88 | 80 | 72 | 64 | 95 |
| MBPCX 45 T4 1,5kW | Inlet / Aspiración | 90 | 92 | 90 | 88 | 90 | 82 | 74 | 66 | 97 |
| MBPCX 50 T4 2,2kW | Inlet / Aspiración | 93 | 95 | 93 | 94 | 90 | 85 | 77 | 69 | 101 |

6 POLES / 6 polos

| | | SOUND POWER Lw dB (A) | | | | | | | | |
|--------------------|--------------------|-----------------------|--------|--------|--------|---------|---------|---------|---------|-------|
| | | 63 Hz | 125 Hz | 250 Hz | 500 Hz | 1000 Hz | 2000 Hz | 4000 Hz | 8000 Hz | Total |
| MBPCX 31 T6 0,12kW | Inlet / Aspiración | 75 | 77 | 75 | 73 | 75 | 67 | 59 | 51 | 82 |
| MBPCX 40 T6 0,25kW | Inlet / Aspiración | 77 | 79 | 77 | 75 | 77 | 69 | 61 | 53 | 84 |
| MBPCX 50 T6 0,75kW | Inlet / Aspiración | 82 | 84 | 82 | 83 | 79 | 74 | 66 | 58 | 89 |
| MBPCX 56 T6 2,2kW | Inlet / Aspiración | 85 | 87 | 85 | 86 | 82 | 77 | 69 | 61 | 92 |