



**VENTILATIE TEHNICA PENTRU
CONSTRUCTII**

www.electromec.ro

ALPHANUMERIC INDEX

AA	93	BV	60	MBC	72
AA P/R	107	BVC	61	MBC/FA	34
AAMAR	95	BVCR	62	MBE	67
AAMAR/S	96	BVF	37	MBMAP	73
AAMHR	97	CTND	16	MBP	90
AAVC	98	CTNH	12	MBPA-MBPB	90
AAVG	103	CTNV	14	MBRC	78
AAVM	105	HA	45	MBRC/FA	35
AAVP	100	HB	46	MBRF	29
AAZA P/R	108	HB EE (x-d)	48	MBRH	88
AAZVC	99	HBA	46	MBRL	80
AAZVG	104	HBF	24	MBRLP	79
AAZVM	106	HH	52	MBRM	83
AAZVP	102	HHP	53	MBRU	86
AAZZA P/R	109	HL	51	MBZM P/R	76
BC	64	HJB	44	MRL	36
BCD350	39	HJBPA	42	MZ	71
BCD500	39	HJEPA	8	MZRH	89
BCI	63	HM	49	MZRL	82
BD	54	HMA	49	MZRM	85
BD 3V	56	HME	28	MZRU	87
BDE	57	HMTE	10	MZZM P/R	77
BDEM	59	HTE	9	SB	17
BDR	58	HTR	11	SOP	92
BOX BD	20	HTRE	11	STANDARD	39
BOX BV	21	MA	65	STANDARDMATIC	39
BOX HB	18	MA P/R	74	TN/SP	30
BOX HBF	26	MB	68	TN/VAT	32
BT	23	MB P/R	75	VENTIMATIC	39

Note: All the performance and dimensions of the new models are available in the Casals technical department.



BUILDING TECHNICAL VENTILATION

AXIAL ROOF FANS



HJEPA AXIAL FANS

GENERAL FEATURES:

Range with 4 standard models from Ø 200 until Ø 350, provided with single phase 4 pole motors. Air-flow from 500 m³/h until 1.825 m³/h.

APPLICATIONS:

- Specially designed for wall assembly are suitable for:
- General ventilation.
- Renovation of stuffy air environments in buildings, shops and light industries.



MANUFACTURING FEATURES:

- Square plate made of polyamide reinforced with fibreglass. High resistance against corrosion.
- Aluminium sheet impeller and epoxy powder coat finishing.
- Supplied as standard with motor support and protection guard according to UNE-EN 294 standard.
- Asynchronous motor shadow coil with Electromagnetic Compatibility Certification (EMC), according to EN 55014, EN 61000-3-2 (95) and EN 61000-3-3 (95) standards, rated class F isolation and IP-42 protection according to DIN40050.
- UNDER REQUEST: sheet plates.

SINGLE PHASE RANGE

Code	Model	Max. R.P.M.	Max. Current (A)		O. Power Kw	Max. Air Flow m ³ /h	Sound dB (A)	Weight Kg	Trd.Price €
			230	400					
265200103	HJEPA 20 M4	1.300	0,2	-	30	500	37	1,5	75,80
265250103	HJEPA 25 M4	1.300	0,35	-	56	900	42	2,5	92,50
265310103	HJEPA 30 M4	1.300	0,55	-	77	1.350	47	3,5	108,00
265350103	HJEPA 35 M4	1.300	0,7	-	75	1.825	50	4	148,50

Ancillaries



REG



RFS



INT



PE



RPO



PC



PCP



HTE

AXIAL ROFF FANS



GENERAL FEATURES:

· Range with 5 different types from Ø 350 until Ø 560, provided with single phase and three phase motors 4 and 6 pole. Air-flow from 2.700 m³/h until 11.500 m³/h.

MANUFACTURING FEATURES:

- Roof cowl made of reinforced plastic.
- Roof base support and birds protection guard epoxy powder coat finishing.
- Variable pitch angle poliamide impeller reinforced with fibreglass.
- Squirrel cage asincronous standard motor, IP-55 protection and rated class F insulation. Standard voltages 230V 50Hz for single phase motors, 230/400V 50Hz for three phase motors.

APPLICATIONS:

- Specially designed for roof assembly, are suitable for:
- General ventilation.
- Renovation of stuffy air environments in industry.
- Smoke extraction
- Fresh air injection in any industrial installation.

UNDER REQUEST:

- "Impelente" impeller (air sense from impeller to motor).
- 60Hz fans and special voltages.
- Flameproof or explosionproof fans with ATEX certificated motors.

SINGLE PHASE RANGE

Code	Model	Max. R.P.M.	Max. Current (A)		O. Power Kw	Max. Air Flow m3/h	Sound dB (A)	Weight Kg	Trd.Price €
			230	400					
267300103	HTE 35 M4 1/6	1.450	0,88	-	0,11	2.700	60	15	479,50
267310103	HTE 40 M4 1/3	1.360	2,06	-	0,25	4.500	65	21	537,30
267350103	HTE 45 M4 1/2	1.330	2,77	-	0,37	6.300	66	28	669,70
267410103	HTE 50 M4 3/4	1.320	5,5	-	0,55	8.900	70	35	805,50
267440103	HTE 56 M4 1	1.330	4,38	-	0,75	10.700	71	42	843,00
267460103	HTE 56 M6 1/3	880	3	-	0,25	6.700	68	41	866,20

THREE PHASE RANGE

Code	Model	Max. R.P.M.	Max. Current (A)		O. Power Kw	Max. Air Flow m3/h	Sound dB (A)	Weight Kg	Trd.Price €
			230	400					
267300106	HTE 35 T4 1/6	1.450	0,73	0,42	0,11	2.700	60	15	451,70
267310106	HTE 40 T4 1/3	1.450	1,4	0,81	0,25	4.500	65	21	476,80
267350106	HTE 45 T4 1/2	1.360	1,82	1,05	0,37	6.300	66	28	590,90
267410106	HTE 50 T4 3/4	1.410	2,45	1,42	0,55	8.900	70	35	716,30
267440106	HTE 56 T4 1	1.400	3,67	2,12	0,75	10.700	71	42	764,80
267450106	HTE 56 T4 1,5	1.400	4,65	2,69	1,1	11.500	72	43	814,10
267460106	HTE 56 T6 1/3	880	1,89	1,09	0,25	6.700	68	41	847,20

Ancillaries



REG

RFS

INT

PE

OM

BTI

AXIAL ROOF FANS



HMTE AXIAL ROOF FANS



MANUFACTURING FEATURES:

- Roof cowl made of reinforced plastic.
- Roof base support and birds protection guard epoxy powder coat finishing.
- Variable pitch angle poliamide impeller reinforced with fibreglass.
- Squirrel cage asynchronous standard motor, IP-55 protection and rated class F insulation. Standard voltages 230V 50Hz for single phase motors, 230/400V 50Hz for three phase, motors up to 5,5HP and 400/690V 50Hz for higher powers.

APPLICATIONS:

- Specially designed for roof assembly, are suitable for:
- General ventilation.
- Renovation of stuffy air environments in industry.
- Smoke extraction
- Fresh air injection in any industrial installation.

GENERAL FEATURES:

- Range with 9 different types from Ø 250 until Ø 900, provided with single phase 2 and 4 pole motors and with three phase 2, 4 and 6 pole motors. Air-flow from 900 m³/h until 41.000 m³/h.

UNDER REQUEST:

- "Impelente" impeller (air sense from impeller to motor), 100% reversible impeller, cast aluminium impellers.
- 60Hz fans and special voltages.
- 2 speed motors.
- Flameproof or explosionproof fans with ATEX certificated motors.
- Hot dip galvanised and stainless steel housings.

SINGLE PHASE RANGE

Code	Model	Max. R.P.M.	Max. Current (A)		O. Power Kw	Max. Air Flow m ³ /h	Sound dB (A)	Weight Kg	Trd.Price €
			230	400					
269070103	HMTE 25 M2 1/7	2.825	0,7	-	0,1	1.700	70	12	463,60
269270103	HMTE 25 M4 1/10	1.410	0,32	-	0,08	900	55	12	461,50
269100103	HMTE 30 M2 1/	2.850	1,6	-	0,37	2.700	71	16	537,80
269290103	HMTE 30 M4 1/7	1.450	0,5	-	0,1	1.400	56	14	518,20
269310103	HMTE 35 M4 1	1.450	0,88	-	0,1	2.700	60	17	595,90

THREE PHASE RANGE

Code	Model	Max. R.P.M.	Max. Current (A)			O. Pw. kw	Max. A. F. m ³ /h	Sound dB (A)	Weight Kg	Trd.Price €
			230	400	690					
269070106	HMTE 25 T2 1/7	2.820	0,45	0,26	-	0,1	1.700	70	12	474,80
269270106	HMTE 25 T4 1/10	1.450	0,35	0,2	-	0,075	900	55	12	462,90
269100106	HMTE 30 T2 1/2	2.800	1	0,6	-	0,37	2.700	71	16	533,20
269290106	HMTE 30 T4 1/7	1.450	0,6	0,35	-	0,1	1.400	56	14	533,20
269140106	HMTE 35 T2 1/2	2.800	1,97	1,14	-	0,37	4.800	77	17	639,50
269310106	HMTE 35 T4 1/7	1.450	0,73	0,42	-	0,1	2.700	60	16	577,50
269160106	HMTE 45 T2 2	2.860	6,61	3,82	-	1,5	9.000	84	30	862,60
269350106	HMTE 45 T4 1/2	1.420	1,82	1,05	-	0,37	5.300	69	28	772,60
269380106	HMTE 56 T4 3/4	1.400	2,45	1,42	-	0,55	9.000	72	36	913,80
269320106	HMTE 56 T6 1/3	880	1,89	1,09	-	0,25	6.100	62	36	918,20
269400106	HMTE 63 T4 1,5	1.400	4,65	2,69	-	1,1	12.300	74	53	1.198,80
269430106	HMTE 71 T4 2	1.420	6,46	3,73	-	1,5	17.000	80	61	1.294,40
269430121	HMTE 80 T4 4	1.400	11,78	6,8	-	3	22.500	83	101	1.713,00
269440106	HMTE 90 T4 4	1.420	11,78	6,8	-	3	33.000	87	115	2.219,70
269450106	HMTE 90 T4 7,5	1.460	-	12,8	7,3	5,5	41.000	89	115	2.442,80
269460106	HMTE 90 T6 2	940	7,31	4,22	-	1,5	21.000	77	113	2.438,50

Ancillaries



REG



RFS



ASD



INT



PE



BTI

AXIAL ROOF FANS



HTRE / HTR AXIAL ROOF FANS (Speed controllable / Static)

GENERAL FEATURES:

Range with 3 types from external Ø 570 until external Ø 920 , provided with single phase 4,6 pole motors and with three phase 4,6,8 pole motors. Air-flow from 1.912 m³/h 32760 until m³/h.

MANUFACTURING FEATURES:

- Fully manufactured in galvanised steel sheet.
- Variable pitch angle poliamide impeller reinforced with fibreglass.
- Birds protection guard included.

RANGE HTRE:

- Static fans WITHOUT electrical MOTOR (minimum wind speed or air speed for starting de fan, 2,5 m/sec).

RANGE HTR:

- Fans INCLUDING squirrel cage asincronous standard motor, IP-55 protection and rated class F insulation. Standard voltages 230V 50Hz for single phase motors, 230/400V 50Hz for three phase motors.

APPLICATIONS:

Specially designed for roof and plenum assembly is suitable for:

- General ventilation.
- Renovation of stuffy air environments in industries.
- Smoke extraction
- Fresh air injection in any local types, buildings and industrial installations.

UNDER REQUEST:

- "Impelente" impeller (air sense from impeller to motor), 100% reversible impeller.
- 60Hz fans and special voltages.
- 2 speed motors.
- Flameproof or explosionproof fans with ATEX certificated motors, with isolated 3 meter core cable RVFV 4x2,5mm.
- Inclinations according to the roof slope.
- Fans with Self-adjustable base support until an 18% of maximum slope. (EXCEPT MODEL 920)
- To avoid warm losses in winter, motorised damper with register motor fitted in a connection IP-65 box. (EXCEPT MODEL 920)
- "Double channel" function with the possibility to exhaust air from a plenum or directly from the work shop at the same time and with one fan only, with the purpose to safe ENERGY.
- Coat finishing fans or stainless steel fans.



HTR

Code	Model	Max. R.P.M.	Max. Air F. m ³ /h	Sound dB (A)	Weight Kg	Trd.Price €
300287400	HTE 570 T4	1.270	11.800	72	52	1.054,10
300287500	HTE 570 T6	845	8.400	60	52	1.065,50
300287600	HTE 570 T8	695	6.150	55	52	1.065,50
300287700	HTE 740 T6	950	22.500	70	67	1.746,90
300287800	HTE 740 T8	770	17.200	63	67	1.354,60
300287900	HTE 920 T6	920	32.760	81	89	2.590,70

HTRE

Code	Model	Max. Air F. m ³ /h	Weight Kg	Trd.Price €
300288000	HTRE 570	1.912	52	697,70
300288100	HTRE 740	3.225	67	764,50
300288200	HTRE 920	4.987	89	1.075,10

Ancillaries



REG

RFS

INT

PE

OM

ACRE

AXIAL ROOF FANS



CTNH

CENTRIFUGAL ROOF FANS (horizontal discharge)



GENERAL FEATURES:

Range with 10 different types from size 05 until 100, provided with single phase 4 and 6 pole and three phase 4, 6, 8 pole motors and 2 SPEED MOTORS. Air-flow from 750 m³/h until 18.000 m³/h and pressures until 60mm wg. Maximum working temperature 80°C in continuous.

MANUFACTURING FEATURES:

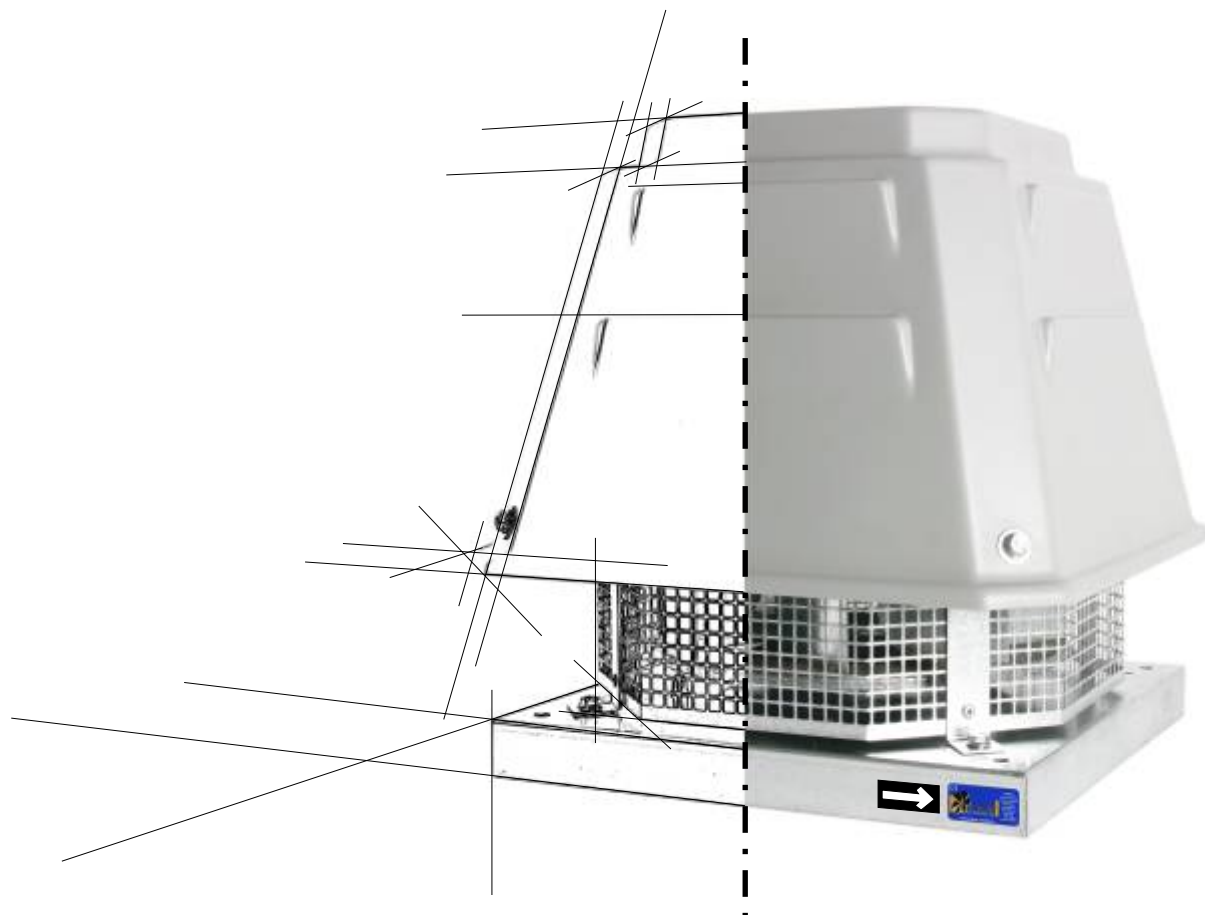
- Roof cowl made of reinforced plastic.
- Roof base support and birds protection guard made of galvanised steel sheet.
- High Efficiency backward curved impellers made of galvanised steel sheet.
- Squirrel cage asynchronous standard motor, IP-55 protection and rated class F insulation. Standard voltages 230V 50Hz for single phase motors, 230/400V 50Hz for three phase motors and 400V for 2 SPEED MOTORS.

APPLICATIONS:

- Specially designed for roof assembly, are suitable for:
- General ventilation.
- Renovation of stuffy air environments in any building and industry.
- Smoke extraction
- Industry and domestic Kitchen hoods.

UNDER REQUEST:

- 60Hz fans and special voltages.
- Flameproof or explosionproof fans with ATEX certificated motors.
- Aluminium sheet impellers.



AXIAL ROOF FANS



SINGLE PHASE RANGE

Code	Model	Max. R.P.M.	Max. Current (A)		O. Power Kw	Max. Air Flow m3/h	Sound dB (A)	Weight Kg	Trd.Price €
			230	400					
300288400	CTNH 05 M4 1/5**	1.320	1,4	-	0,12	1.150	74	16	397,90
300288500	CTNH 05 M6 1/7	910	0,92	-	0,09	750	64	16	388,30
300288600	CTNH 20 M4 1/4**	1.300	1,74	-	0,18	1.800	80	20	514,20
300288700	CTNH 20 M6 1/7	910	0,92	-	0,09	1.100	71	20	498,20
300288800	CTNH 30 M4 1/3**	1.360	2,06	-	0,25	3.050	83	28	603,40
300288900	CTNH 30 M6 1/4	950	1,6	-	0,18	2.000	73	28	594,00
300289000	CTNH 40 M4 1/2**	1.350	2,77	-	0,37	4.050	84	34	679,60
300289100	CTNH 40 M6 1/4	950	1,6	-	0,18	2.650	74	34	677,00
300289200	CTNH 50 M4 1**	1.390	5,8	-	0,75	5.450	89	45	851,60
300289300	CTNH 50 M6 1/2	950	2,7	-	0,37	3.600	79	45	825,00

THREE PHASE RANGE

Code	Model	Max. R.P.M.	Max. Current (A)		O. Power Kw	Max. Air Flow m3/h	Sound dB (A)	Weight Kg	Trd.Price €
			230	400					
300289400	CTNH 05 T4 1/5**	1.320	0,88	0,51	0,12	1.150	74	16	376,20
300289500	CTNH 05 T6 1/7	850	1,2	0,7	0,09	750	64	16	358,90
300289600	CTNH 20 T4 1/4**	1.300	1,22	0,71	0,18	1.800	80	20	476,80
300289700	CTNH 20 T6 1/7	850	1,22	0,71	0,09	1.100	71	20	505,30
300289800	CTNH 30 T4 1/3**	1.380	1,6	0,93	0,25	3.050	83	28	563,30
300289900	CTNH 30 T6 1/4	820	1,36	0,79	0,18	2.000	73	28	550,00
300290000	CTNH 30 T8 1/7	690	0,86	0,5	0,09	1.500	71	28	657,60
300290100	CTNH 40 T4 1/2**	1.360	2,05	1,19	0,37	4.050	84	34	614,40
300290200	CTNH 40 T6 1/4	820	1,36	0,79	0,18	2.650	74	34	610,00
300290300	CTNH 40 T8 1/7	690	0,86	0,5	0,09	1.900	72	34	726,70
300290400	CTNH 40 T4/T6 1/2-1/4	1.360/1.300	2,05/1,22	1,19/0,71	0,37/0,18	4.050/2.650	84/74	34	700,00
300290500	CTNH 50 T4 1**	1.400	3,73	2,16	0,75	5.450	89	45	773,00
300290600	CTNH 50 T6 1/2	940	2,09	1,21	0,37	3.600	79	45	750,00
300290700	CTNH 50 T8 1/5	705	1,08	0,63	0,12	2.550	77	45	855,00
300290800	CTNH 50 T4/T6 1-1/2	1.400/1.360	3,73/2,09	2,16/1,21	0,75/0,37	5.420/3.600	89/79	45	920,40
300290900	CTNH 60 T4 1,5	1.400	4,86	2,81	1,1	7.600	92	54	878,60
300291000	CTNH 60 T6 1/2	940	2,09	1,21	0,37	5.100	81	54	848,40
300291100	CTNH 60 T8 1/4	690	1,38	0,8	0,18	3.850	76	54	948,40
300291200	CTNH 60 T4/T6 1,5-1/2	1.400/940	4,86/2,09	2,81/1,21	1,1/0,37	7.600/5.100	92/81	54	1.180,60
300291300	CTNH 60 T6/T8 1/2-1/4	940/690	2,09/1,38	1,21/0,8	0,37/0,18	5.100/3.850	81/76	54	1.035,40
300291400	CTNH 70 T6 1	920	3,82	2,21	0,75	6.900	85	63	1.134,20
300291500	CTNH 70 T8 1/2	700	2,76	1,6	0,37	5.500	78	63	1.200,10
300291600	CTNH 70 T6/T8 1-1/2	920/700	3,82/2,76	2,21/1,6	0,75/0,37	6.900/5.500	85/78	63	1.477,10
300291700	CTNH 80 T6 1,5	910	5,06	2,93	1,1	10.700	89	82	1.350,00
300291800	CTNH 80 T8 3/4	690	4,06	2,35	0,55	8.300	81	82	1.380,20
300291900	CTNH 80 T6/T8 1,5-3/4	910/690	5,06/4,06	2,93/2,35	1,1/0,55	10.700/8.300	89/81	82	1.683,20
300292000	CTNH 90 T6 3	960	9,03	5,22	2,2	13.800	94	103	1.624,50
300292100	CTNH 90 T8 1,5	700	5,79	3,35	1,1	10.900	85	103	1.640,10
300292200	CTNH 90 T6/T8 3-1,5	960/700	9,03/5,79	5,22/3,35	2,2/1,1	13.800/10.900	94/85	103	1.920,30
300292300	CTNH 100 T6 4	960	11,93	6,9	3	18.000	98	115	1.875,60
300292400	CTNH 100 T8 3	720	10,20	5,9	2,2	14.300	88	115	1.950,40
300292500	CTNH 100 T6/T8 4-3	960/720	11,93/10,20	6,9/5,9	3/2,2	18.000/14.300	98/88	115	2.598,80

NOTE: THE MARK ** IS FOR FANS FULLY CONTROLLABLE BY VOLTAGE

Ancillaries



REG



RFS



INT



PE



OMCT



CBW

AXIAL ROOF FANS



CTNV

CENTRIFUGAL ROOF FANS (Vertical discharge)



GENERAL FEATURES:

Range with 10 different types from size 05 until 100, provided with single phase 4 and 6 pole and three phase 4, 6, 8 pole motors and 2 SPEED MOTORS. Air-flow from 750 m³/h until 18.000 m³/h and pressures until 60mm wg. Maximum working temperature 80°C in continuous.

MANUFACTURING FEATURES:

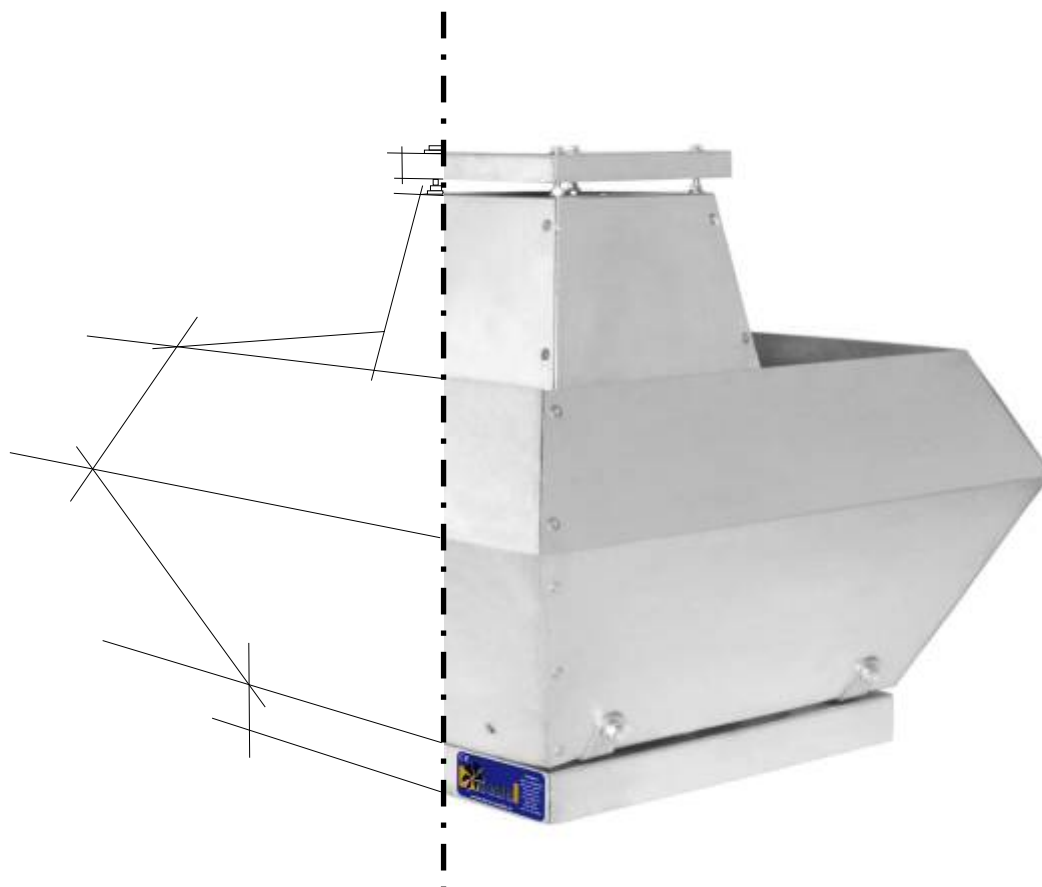
- Roof cowl made of galvised steel sheet.
- Roof base support and birds protection guard made of galvised steel sheet..
- High Efficiency backward curved impellers made of galvised steel sheet.
- Squirrel cage asincronous standard motor, IP-55 protection and rated class F insulation. Standard voltages 230V 50Hz for single phase motors, 230/400V 50Hz for three phase motors and 400V for 2 SPEED MOTORS.

APPLICATIONS:

- Specially designed for roof assembly, are suitable for:
- General ventilation.
- Renovation of stuffy air environments in any building and industry.
- Smoke extraction
- Industry and domestic Kitchen hoods.

UNDER REQUEST:

- 60Hz fans and special voltages.
- Flameproof or explosionproof fans with ATEX certificated motors.
- Aluminium sheet impellers.



AXIAL ROOF FANS



SINGLE PHASE RANGE

Code	Model	Max. R.P.M.	Max. Current (A)		O. Power Kw	Max. Air Flow m3/h	Sound dB (A)	Weight Kg	Trd.Price €
			230	400					
300292600	CTNV 05 M4 1/5**	1.320	1,4	-	0,12	1.150	74	16	560,30
300292700	CTNV 05 M6 1/7	910	0,92	-	0,09	750	64	16	585,70
300292800	CTNV 20 M4 1/4**	1.300	1,74	-	0,18	1.800	80	20	640,20
300292900	CTNV 20 M6 1/7	910	0,92	-	0,09	1.100	71	20	585,80
300293000	CTNV 30 M4 1/3**	1.360	2,06	-	0,25	3.050	83	28	720,80
300293100	CTNV 30 M6 1/4	950	1,6	-	0,18	2.000	73	28	780,30
300293200	CTNV 40 M4 1/2 **	1.350	2,77	-	0,37	4.050	84	34	790,30
300293300	CTNV 40 M6 1/4	950	1,6	-	0,18	2.650	74	34	800,30
300293400	CTNV 50 M4 1**	1.390	5,8	-	0,75	5.450	89	45	960,30
300293500	CTNV 50 M6 1/2	950	2,7	-	0,37	3.600	79	45	950,50

THREE PHASE RANGE

Code	Model	Max. R.P.M.	Max. Current (A)		O. Power Kw	Max. Air Flow m3/h	Sound dB (A)	Weight Kg	Trd.Price €
			230	400					
300293600	CTNV 05 T4 1/5**	1.320	0,88	0,51	0,12	1.150	74	16	476,80
300293700	CTNV 05 T6 1/7	850	1,2	0,7	0,09	750	64	16	490,42
300293800	CTNV 20 T4 1/4**	1.300	1,22	0,71	0,18	1.800	80	20	550,20
300293900	CTNV 20 T6 1/7	850	1,22	0,71	0,09	1.100	71	20	560,00
300294000	CTNV 30 T4 1/3	1.380	1,6	0,93	0,25	3.050	83	28	650,30
300294100	CTNV 30 T6 1/4	820	1,36	0,79	0,18	2.000	73	28	650,90
300294200	CTNV 30 T8 1/7	690	0,86	0,5	0,09	1.500	71	28	776,00
300294300	CTNV 40 T4 1/2	1.360	2,05	1,19	0,37	4.050	84	34	680,40
300294400	CTNV 40 T6 1/4	820	1,36	0,79	0,18	2.650	74	34	710,20
300294500	CTNV 40 T8 1/7	690	0,86	0,5	0,09	1.900	72	34	815,50
300294600	CTNV 40 T4/T6 1/2-1/4	1.360/1.300	2,05/1,22	1,19/0,71	0,37/0,18	4.050/2.650	84/74	34	800,90
300294700	CTNV 50 T4 1	1.400	3,73	2,16	0,75	5.450	89	45	880,00
300294800	CTNV 50 T6 1/2	940	2,09	1,21	0,37	3.600	79	45	865,00
300294900	CTNV 50 T8 1/5	705	1,08	0,63	0,12	2.550	77	45	913,20
300295000	CTNV 50 T4/T6 1-1/2	1.400/1.360	3,73/2,09	2,16/1,21	0,75/0,37	5.420/3.600	89/79	45	1.020,90
300295100	CTNV 60 T4 1,5	1.400	4,86	2,81	1,1	7.600	92	54	999,20
300295200	CTNV 60 T6 1/2	940	2,09	1,21	0,37	5.100	81	54	953,60
300295300	CTNV 60 T8 1/4	690	1,38	0,8	0,18	3.850	76	54	1.057,10
300295400	CTNV 60 T4/T6 1,5-1/2	1.400/940	4,86/2,09	2,81/1,21	1,1/0,37	7.600/5.100	92/81	54	1.330,50
300295500	CTNV 60 T6/T8 1/2-1/4	940/690	2,09/1,38	1,21/0,8	0,37/0,18	5.100/3.850	81/76	54	1.150,60
300295600	CTNV 70 T6 1	920	3,82	2,21	0,75	6.900	85	63	1.144,30
300295700	CTNV 70 T8 1/2	700	2,76	1,6	0,37	5.500	78	63	1.232,90
300295800	CTNV 70 T6/T8 1-1/2	920/700	3,82/2,76	2,21/1,6	0,75/0,37	6.900/5.500	85/78	63	1.499,60
300295900	CTNV 80 T6 1,5	910	5,06	2,93	1,1	10.700	89	82	1.540,90
300296000	CTNV 80 T8 3/4	690	4,06	2,35	0,55	8.300	81	82	1.580,90
300296100	CTNV 80 T6/T8 1,5-3/4	910/690	5,06/4,06	2,93/2,35	1,1/0,55	10.700/8.300	89/81	82	1.845,60
300296200	CTNV 90 T6 3	960	9,03	5,22	2,2	13.800	94	103	1.730,50
300296300	CTNV 90 T8 1,5	700	5,79	3,35	1,1	10.900	85	103	1.740,50
300296400	CTNV 90 T6/T8 3-1,5	960/700	9,03/5,79	5,22/3,35	2,2/1,1	13.800/10.900	94/85	103	1.995,60
300296500	CTNV 100 T6 4	960	11,93	6,9	3	18.000	98	115	1.999,50
300296600	CTNV 100 T8 3	720	10,20	5,9	2,2	14.300	88	115	2.150,40
300296700	CTNV 100 T6/T8 4-3	960/720	11,93/10,20	6,9/5,9	3/2,2	18.000/14.300	98/88	115	2.800,30

NOTE: THE MARK ** IS FOR FANS FULLY CONTROLLABLE BY VOLTAGE

Ancillaries



REG

RFS

INT

PE

OMCT

CBW

AXIAL ROOF FANS



CTND

CENTRIFUGAL ROOF FANS (double Vertical discharge)



MANUFACTURING FEATURES:

- Motor-Impeller group soundproofing through pannels sandwich type epoxy powder coat finishing.
- Roof base support made of steel sheet and outlet gravity shutters made of aluminum sheet both epoxy powder finishing.
- Birds protection guard made of galvanised steel sheet.
- High Efficiency backward curved impellers made of galvanised steel sheet or aluminium.
- External safety switch included
- Squirrel cage asincronous standard motor, IP-55 protection and rated class F insulation. Standard voltages 230/400V 50Hz for three phase, motors up to 5,5HP and 400/690V 50Hz for higher powers.

APPLICATIONS:

- Specially designed for roof assembly, are suitable for:
- General ventilation.
- Renovation of stuffy air environments in any building and industry.
- Smoke extraction
- Industry and domestic Kitchen hoods.

UNDER REQUEST:

- 60Hz fans and special voltages.
- 2 SPEED motors
- Horizontal discharge.

GENERAL FEATURES:

Range with 2 different sizes, 110 and 120, provided with three phase 6 and, 8 pole motors. Air-flow from 19.000 m³/h until 32.500 m³/h and pressures until 80mm wg. Maximum working temperature 60°C in continuous.

THREE PHASE RANGE

Code	Model	Max. R.P.M.	Max. Current (A)			O. Pw. kw	Max. A. F. m3/h	Sound dB (A)	Weight Kg	Trd.Price €
			230	400	690					
300296800	CTND 110 T6 5,5	955	15,7	9,1	-	4	24.300	76	300	4.500,00
300296900	CTND 110 T8 4	700	12,9	7,5	-	3	19.000	67	300	4.652,50
300305600	CTND 110 T6/T8 4,8-2,5	955/700	-	8/4,7	-	3,5/1,8	24.000/17.800	76/67	325	5.322,00
300297000	CTND 120 T6 10	970	-	15,4	8,9	7,5	32.500	78	350	5.174,90
300297100	CTND 120 T8 5,5	725	16,2	9,4	-	4	26.500	69	350	5.123,40
300305700	CTND 120 T6/T8 10-5	970/725	-	15,4/9	-	7,5/3,7	32.500/26.000	78/69	375	6.477,00

Ancillaries



REG



RFS



ASD



INT



PE

SOUNDPROOF CABINET INLINE FANS



SB

CENTRIFUGAL FANS in Soundproofing Cabinet Inline



MANUFACTURING FEATURES:

- Fan fully made in galvanised steel sheet including the impeller.
- Soundproofing box through fibreglass insulated panels.
- Inlet and Outlet circular flanges to do easier the duct fans assembly.
- External wiring box.
- External rotor asincronous, IP-44 protection and rated class B insulation according to DIN 40.050 h1 and ball bearings greased for life. Standard voltages 230V 50Hz.

APPLICATIONS:

- Because his low profile and reduced size made these fans as the best solution for:
- Air renovation in bath rooms, clean shops or any small room where could be a high charge of stuffy air or in environments with bad smells.
- The best solution for assembly in indoor roofs or outdoor.

GENERAL FEATURES:

Range with 6 different types from Ø 125 until Ø 400, provided with single phase motors and pole. Air-flow from m³/h until m³/h.

SINGLE PHASE RANGE

Code	Model	Max. R.P.M.	O. Power Kw	Max. Air Flow m3/h	Sound dB (A)	Trd.Price €
240120143	SB 125/H	2.200	0,08	400	30	154,60
240150143	SB 150/H	2.200	0,08	550	40	187,50
240200143	SB 200/H	2.400	0,12	875	45	222,70
240210143	SB 200/L	2.400	0,12	875	45	217,80
240250143	SB 250/H	2.450	0,14	1.300	49	232,60
240260143	SB 250/L	2.450	0,14	1.100	47	233,60
240350143	SB 350/H	1.300	0,37	3.000	51	399,60
240400143	SB 400/H	1.350	0,55	3.500	52	420,00

Ancillaries



REG



RFS



INT



PE



SOUNDPROOF CABINET INLINE FANS

BOX HB SOUNDPROOF CABINET AXIAL FANS



GENERAL FEATURES:

Range with 9 box types from 450 until 1250, provided with single phase 4 and 6 pole motors and with three phase 4, 6 and 8 pole motors. Air-flow from 5.500 m³/h until 109.000 m³/h.

MANUFACTURING FEATURES:

- BOX : Box manufactured in galvanised steel sheet with soundproofing. Easy motor access and fan maintenance through removable pannels.
- Fan:
- **HB:** axial fan, circular reinforced frame. Motor-impeller assembly through modular system. Variable pitch angle poliamide impeller reinforced with fibreglass. Epoxy powder coat finishing.
- **HBA:** axial fan, circular reinforced frame. Motor-impeller assembly through modular system. Cast aluminium impeller variable pitch angle. Epoxy powder coat finishing.
- Squirrel cage asincronous standard motor, IP-55 protection and rated class F insulation. Standard voltages 230V 50Hz for single phase motors, 230/400V 50Hz for three phase, motors up to 5,5HP and 400/690V 50Hz for higher powers.

APPLICATIONS:

- Specially designed for wall or duct assembly, are suitable for:
- General ventilation.
- Renovation of stuffy air environments in buildings and industry.
- Smoke extraction
- Fresh air injection in any local types, buildings and industrial installations.

UNDER REQUEST:

- "Impelente" impeller (air sense from impeller to motor), 100% reversible impeller.
- 60Hz fans and special voltages.
- 2 speed motors.
- Flameproof or explosionproof fans with ATEX certificated motors.
- Boxes for outdoor application.

SINGLE PHASE RANGE

Code	Model	Max. R.P.M.	Max. Current (A)		O. Power Kw	Max. Air Flow m3/h	Sound dB (A)	Weight Kg	Trd.Price	
			230	400					€ Plastic	€ Alum.
260470x43	BOX HB 45 M4 1/2	1.330	2,77	-	0,37	7.200	68	45	617,30	647,30
260480x43	BOX HB 45 M6 1/3	880	3	-	0,25	5.500	51	44	641,10	672,00
260500x46	BOX HB 50 M4 3/4	1.370	4,38	-	0,55	8.500	67	49	696,40	738,50
260510x46	BOX HB 50 M6 1/2	900	3,2	-	0,37	6.000	55	50	702,40	742,10
260560x43	BOX HB 56 M4 3/4	1.370	4,38	-	0,55	10.000	70	52	728,70	766,40
260600x43	BOX HB 56 M6 1/3	880	3	-	0,25	7.000	58	49	718,20	764,30
260680x43	BOX HB 63 M6 1/2	900	3,2	-	0,37	10.000	63	52	795,90	863,90
260760x43	BOX HB 71 M6 3/4	910	4,2	-	0,55	15.000	68	59	1.010,20	1.087,30

x=1 Plastic

x=2 Aluminium

Ancillaries



REG RFS ASD INT PE PCP PC RPO RPI

SOUNDPROOF CABINET INLINE FANS



SINGLE PHASE RANGE

Code	Model	Max. R.P.M.	Max. Current (A)			O. Pw. kw	Max. A. F. m3/h	Sound dB (A)	Weig. Kg	Trd.Price	
			230	400	690					€ Plastic	€ Alum.
260450x46	BOX HB 45 T2 2	2.860	6,25	3,61	-	1,5	10.200	85	23	-	726,20
261460x46	BOX HB 45 T2 3	2.860	8,28	4,78	-	2,2	12.800	87	26	-	753,80
260470x46	BOX HB 45 T4 1/2	1.360	1,82	1,05	-	0,37	7.200	67	15	597,90	627,50
260480x46	BOX HB 45 T6 1/3	880	1,89	1,09	-	0,25	5.500	54	14	611,70	734,20
260500x46	BOX HB 50 T4 3/4	1.410	2,46	1,42	-	0,55	5.500	67	49	686,30	748,30
260510x46	BOX HB 50 T6 1/2	940	2,23	1,29	-	0,37	6.000	55	50	665,40	705,20
260560x46	BOX HB 56 T4 3/4	1.410	2,46	1,42	-	0,55	10.000	70	52	718,30	755,20
260570x46	BOX HB 56 T4 1	1.400	3,67	2,12	-	0,75	12.000	71	53	732,60	803,50
260580x46	BOX HB 56 T4 1,5	1.400	4,66	2,69	-	1,1	13.300	72	57	750,70	837,70
260590x46	BOX HB 56 T4 2	1.420	6,46	3,73	-	1,5	15.000	73	59	768,10	868,20
260600x46	BOX HB 56 T6 1/3	880	1,89	1,09	-	0,25	6.900	59	49	677,80	779,47
260610x46	BOX HB 56 T6 1/2	940	2,23	1,29	-	0,37	8.000	59	52	729,80	839,27
260620x46	BOX HB 56 T6 3/4	900	3,46	2	-	0,55	9.300	60	53	747,80	859,97
260630x46	BOX HB 63 T4 1	1.400	3,67	2,12	-	0,75	13.700	60	57	806,90	927,94
260640x46	BOX HB 63 T4 1,5	1.400	4,66	2,69	-	1,1	15.000	70	61	839,20	965,08
260650x46	BOX HB 63 T4 2	1.420	6,46	3,73	-	1,5	18.700	71	63	850,90	978,54
260660x46	BOX HB 63 T4 3	1.390	8,83	5,1	-	2,2	22.000	72	72	924,80	1.063,52
260670x46	BOX HB 63 T4 4	1.400	11,78	6,8	-	3	25.000	73	74	964,40	1.109,06
260680x46	BOX HB 63 T6 1/2	900	2,23	1,29	-	0,37	10.000	60	56	746,40	858,36
260690x46	BOX HB 63 T6 3/4	900	3,46	2	-	0,55	11.000	61	57	769,30	884,70
260700x46	BOX HB 63 T6 1	910	4,21	2,43	-	0,75	12.500	62	61	862,00	991,30
260710x46	BOX HB 71 T4 1,5	1.400	4,66	2,69	-	1,1	18.700	75	77	984,40	1.132,06
260720x46	BOX HB 71 T4 2	1.420	6,46	3,73	-	1,5	21.000	76	79	1.005,30	1.156,10
260730x46	BOX HB 71 T4 3	1.390	8,83	5,1	-	2,2	23.000	77	89	1.114,30	1.281,45
260740x46	BOX HB 71 T4 4	1.400	11,78	6,8	-	3	28.000	78	91	1.191,90	1.370,69
260760x46	BOX HB 71 T6 3/4	900	3,46	2	-	0,55	15.000	63	73	941,40	1.082,61
260770x46	BOX HB 71 T6 1	910	4,21	2,43	-	0,75	17.000	64	77	949,10	1.091,47
260780x46	BOX HB 71 T6 1,5	920	5,07	2,93	-	1,1	18.100	65	79	1.007,60	1.158,74
260800x46	BOX HB 80 T4 3	1.390	8,83	5,1	-	2,2	28.000	80	97	1.122,00	1.290,30
260810x46	BOX HB 80 T4 4	1.400	11,78	6,8	-	3	37.000	81	99	1.265,00	1.454,75
260820x46	BOX HB 80 T4 5,5	1.440	15,42	8,9	-	4	40.500	82	104	1.341,20	1.542,38
260830x46	BOX HB 80 T6 1	910	4,21	2,43	-	0,75	22.500	67	85	1.124,10	1.292,72
260840x46	BOX HB 80 T6 1,5	920	5,07	2,93	-	1,1	25.100	70	87	1.199,40	1.379,31
260850x46	BOX HB 80 T6 2	940	7,31	4,22	-	1,5	29.000	71	97	1.242,60	1.428,99
260860x46	BOX HB 80 T6 3	950	9,53	5,5	-	2,2	32.500	72	100	1.360,50	1.564,58
260870x46	BOX HB 80 T8 1/2	690	2,55	1,47	-	0,37	16.000	66	85	1.097,50	1.262,13
260880x46	BOX HB 80 T8 3/4	690	3,67	2,12	-	0,55	18.000	67	88	1.139,50	1.310,43
260890x46	BOX HB 80 T8 1	700	4,57	2,64	-	0,75	21.000	68	93	1.234,40	1.419,56
260900x46	BOX HB 90 T4 4	1.400	11,78	6,8	-	3	40.000	84	122	1.408,90	1.620,24
260910x46	BOX HB 90 T4 5,5	1.440	15,42	8,9	-	4	45.000	85	127	1.575,40	1.811,71
260920x46	BOX HB 90T4 7,5	1.440	-	11,8	6,81	5,5	52.000	87	143	1.696,10	1.950,52
260930x46	BOX HB 90 T4 10	1.450	-	17	9,81	7,5	55.000	88	154	1.803,30	2.073,80
260940x46	BOX HB 90 T6 2	940	7,31	4,22	-	1,5	32.500	75	120	1.390,00	1.598,50
260950x46	BOX HB 90 T6 3	950	9,53	5,5	-	2,2	37.500	76	123	1.570,60	1.806,19
260960x46	BOX HB 90 T6 4	950	12,33	7,12	-	3	42.000	77	139	1.722,50	1.980,88
260970x46	BOX HB 90 T8 1	700	4,57	2,64	-	0,75	20.200	69	116	1.386,60	1.594,59
260980x46	BOX HB 90 T8 1,5	700	6,93	4	-	1,1	22.300	70	119	1.508,70	1.735,01
260990x46	BOX HB 90 T8 2	700	7,98	4,61	-	1,5	25.000	71	124	1.654,60	1.902,79
260090x46	BOX HB 90 T8 3	700	10,91	6,3	-	2,2	28.000	72	144	1.817,20	2.089,78
260100x46	BOX HB 100 T4 7,5	1.440	-	11,8	6,81	5,5	50.000	89	151	1.981,20	2.179,32
260110x46	BOX HB 100 T4 10	1.450	-	17	9,81	7,5	60.000	89	162	2.182,20	2.400,42
260120x46	BOX HB 100 T4 15	1.450	-	24	13,9	11	67.000	90	186	2.428,60	2.671,46
260130x46	BOX HB 100 T4 20	1.455	-	33	19,1	15	72.000	91	203	2.624,60	2.887,06
260140x46	BOX HB 100 T6 3	950	9,53	5,5	-	2,2	42.000	79	131	1.552,90	1.708,19
260150x46	BOX HB 100 T6 4	950	12,33	7,12	-	3	45.000	80	147	1.819,10	2.001,01
260160x46	BOX HB 100 T6 5,5	950	16,11	9,3	-	4	52.000	81	152	1.957,80	2.153,58
260170x46	BOX HB 100 T8 1,5	700	6,93	4	-	1,1	30.000	74	127	1.497,80	1.647,58
260180x46	BOX HB 100 T8 2	700	7,98	4,61	-	1,5	32.000	75	132	1.789,80	1.968,78
260190x46	BOX HB 100 T8 3	700	10,91	6,3	-	2,2	34.000	76	152	2.058,60	2.264,46
260200x46	BOX HB 100 T8 4	700	14,46	8,35	-	3	36.000	77	159	2.188,80	2.407,68
260210x46	BOX HB 125 T4 10	1.450	-	16,18	9,35	7,5	82.000	90	249	2.771,50	3.035,43
260220x46	BOX HB 125 T4 15	1.450	-	22,34	12,9	11	89.500	91	302	3.201,00	3.505,78
260230x46	BOX HB 125 T4 20	1.450	-	30,59	17,68	15	94.000	91	312	3.443,70	3.771,66
260240x46	BOX HB 125 T4 25	1.462	-	37,5	21,67	18,2	97.000	92	340	3.782,50	4.142,65
260250x46	BOX HB 125 T4 30	1.467	-	44,4	25,66	22	109.000	92	352	4.028,40	4.411,98
260260x46	BOX HB 125 T6 4	900	11,9	6,9	-	3	54.500	77	245	2.755,80	3.018,18
260270x46	BOX HB 125 T6 5,5	960	15,05	8,7	-	4	64.000	78	259	2.884,10	3.158,71
260280x46	BOX HB 125 T6 10	970	-	15,4	8,9	7,5	78.000	80	253	3.328,40	3.645,39
260290x46	BOX HB 125 T6 15	970	-	23,3	13,46	11	90.000	82	259	3.618,00	3.962,56

x=1 Plastic
x=2 Aluminium

SOUNDPROOF CABINET INLINE FANS

BOX BD

CENTRIFUGAL LOW PRESSURE FANS in Soundproofing Cabinet (Closed Motor)



GENERAL FEATURES:

Range with 5 different sizes from 19/19 (7/7) until 39/39 (15/15), provided with single phase 4 and, 6 pole motors and three phase 6 pole motors. Air-flow from 1.170 m³/h until 10.000 m³/h. Maximum working temperature 55°C in continuous.

MANUFACTURING FEATURES:

- BD range fans fitted in soundproofing cabinets through insulated panels with Flexiroll Pol Na 30 Antracite grey, M1 fire resistance.
- Fan fitted over antivibration mountings.
- Swap panels giving the possibility to different fan positions.
- Connection gland included.
- Closed motors SPECIALLY DESIGNED. Extruded aluminium motor housing. Totally enclosed wiring box IP-65. IP-54 motor protection and rated class F insulation. Standard voltages 230V 50 Hz for single phase and 230/400V 50Hz.

APPLICATIONS:

- Specially designed for indoor or outdoor assembly, are suitable for:
- General ventilation.
- Renovation of stuffy air environments in any building and industry.
- Smoke and steam extraction in industries and kitchen hoods.

UNDER REQUEST:

- 3 SPEED FANS.
- 60Hz fans.
- Box for Outdoor fitting.
- Vertical discharge, circular inlet and outlet, blind cover.

SINGLE PHASE RANGE

Code	Model	Max. R.P.M.	Max. Current (A)		O. Power Kw	Max. Air Flow m ³ /h	Sound dB (A)	Inch	Trd.Price €
			230	400					
251100150	BOX BD 19/19 M4 1/5	1.300	1,5	-	0,15	1.170	50	7/7	280,00
251160151	BOX BD 19/19 M6 1/10	860	1	-	0,075	1.260	50	7/7	277,20
251220150	BOX BD 25/25 M4 1/2	1.350	3,8	-	0,37	2.790	54	9/9	346,30
251220151	BOX BD 25/25 M4 3/4	1.350	4	-	0,55	3.060	55	9/9	371,60
251280152	BOX BD 25/25 M6 1/5	850	1,5	-	0,15	2.340	50	9/9	314,20
251280153	BOX BD 25/25 M6 1/3	900	2	-	0,25	2.430	52	9/9	320,20
251320150	BOX BD 28/28 M4 3/4	1.350	5	-	0,55	3.600	56	10/10	396,70
251370151	BOX BD 28/28 M6 1/3	925	2,5	-	0,25	3.060	54	10/10	348,20
251370152	BOX BD 28/28 M6 1/2	890	3	-	0,37	3.600	54	10/10	372,20
251370153	BOX BD 28/28 M6 3/4	860	4,6	-	0,55	3.780	56	10/10	390,20
251520150	BOX BD 33/33 M6 3/4	860	4,6	-	0,55	4.500	57	12/12	462,50
251520151	BOX BD 33/33 M6 1	840	6,6	-	0,75	4.950	57	12/12	530,40
251520152	BOX BD 33/33 M6 1,5	860	10	-	1,1	6.750	59	12/12	562,80

THREE PHASE RANGE

Code	Model	Max. R.P.M.	Max. Current (A)		O. Power Kw	Max. Air Flow m ³ /h	Sound dB (A)	Inch	Trd.Price €
			230	400					
251520153	BOX BD 33/33 T6 1,5	960	6,11	3,52	1,1	6.750	58	12/12	482,50
252370157	BOX BD 39/39 T6 3	900	11,25	6,5	2,2	10.000	67	15/15	772,50

Ancillaries



REG RFS INT PE PI VIS TCA TCIA

SOUNDPROOF CABINET INLINE FANS



BOX BV

CENTRIFUGAL FANS in Soundproofing Cabinet (Transmission)



GENERAL FEATURES:

Range with 10 different sizes from 7/7 until 30/28, provided with three phase 4 pole motors. Air-flow from 750 m³/h until 66.000 m³/h. Maximum working temperature 50°C in continuous.

MANUFACTURING FEATURES:

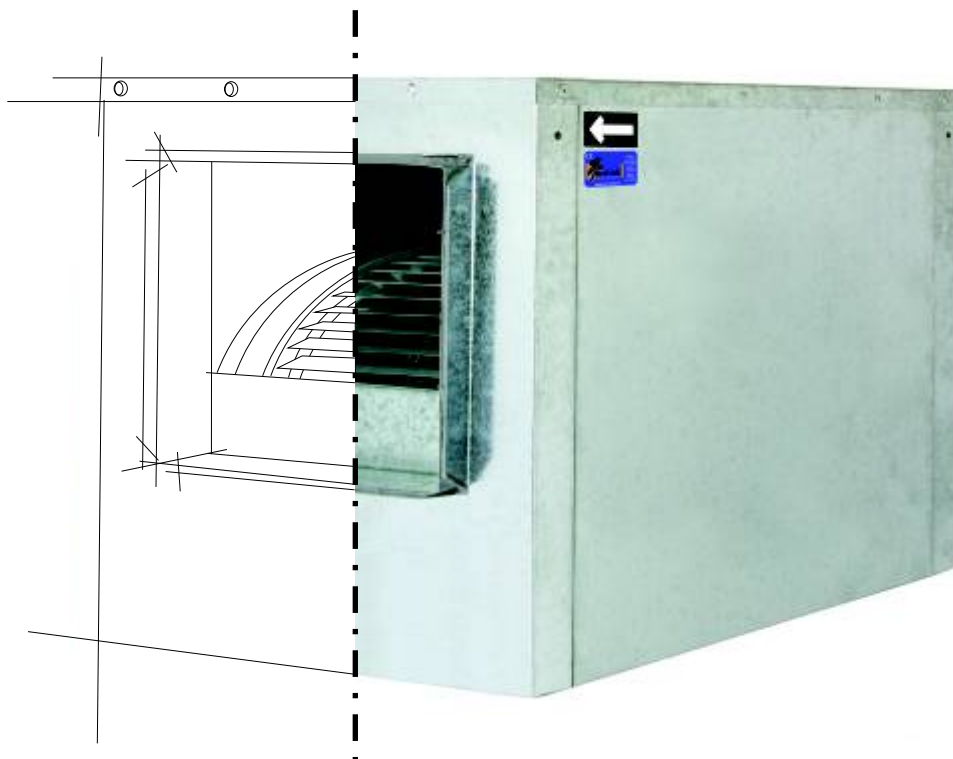
- BV, BVC, BVCR range fans fitted in soundproofing cabinets through insulated panels with Flexiroll Pol Na 30 Antracite grey or fibreglass (big sizes), M1 fire resistance.
- Fan fitted over antivibration mountings.
- The fan is supplied with motor, pulleys and belts.
- Swap panels giving the possibility to different fan positions.
- Connection gland included.
- Squirrel cage asynchronous standard motor, IP-55 protection and rated class F insulation. Standard voltages 230/400V 50Hz for three phase, motors up to 5,5HP and 400/690V 50Hz for higher powers.

APPLICATIONS:

- Specially designed for indoor or outdoor assembly, are suitable for:
- General ventilation.
- Renovation of stuffy air environments in any building and industry.
- Smoke and steam extraction in industries and kitchen hoods.

UNDER REQUEST:

- 60Hz fans and special voltages.
- 2 SPEED MOTORS.
- Box for Outdoor fitting.
- Vertical discharge, circular inlet and outlet, blind cover.





SOUNDPROOF CABINET INLINE FANS

THREE PHASE RANGE

Code	Model	Max. R.P.M.	Min. R.P.M.	Max. Current (A)			O. Pw. kw	Max.A.F.		Sound dB (A)	Trd.Price €
				230	400	690		R.P.M. min.	R.P.M. max.		
252090150	BOX BV 7/7 1/4	1.000	1.450	0,73	0,42	-	0,18	2.000	750	62	499,50
252090151	BOX BV 7/7 1/3	1.200	1.700	1,4	0,81	-	0,25	2.500	900	64	503,20
252090152	BOX BV 7/7 1/2	1.300	1.900	2,1	1,2	-	0,37	2.800	1.000	66	520,20
252090153	BOX BV 7/7 3/4	1.500	2.000	2,45	1,42	-	0,55	3.000	1.500	69	539,10
252090154	BOX BV 7/7 1	1.600	2.000	3,66	2,12	-	0,75	3.200	1.800	72	550,30
252180150	BOX BV 9/9 1/2	800	1.100	2,1	1,2	-	0,37	3.500	2.500	70	571,50
252180151	BOX BV 9/9 3/4	1.000	1.400	2,45	1,42	-	0,55	3.800	2.700	73	599,20
252180152	BOX BV 9/9 1	1.100	1.400	3,66	2,12	-	0,75	4.200	3.800	77	613,20
252180153	BOX BV 9/9 1,5	1.250	1.400	4,65	2,69	-	1,1	4.600	5.100	80	651,20
252210150	BOX BV 10/10 1/2	700	1.000	2,1	1,2	-	0,37	3.500	2.600	68	615,50
252210151	BOX BV 10/10 3/4	800	1.100	2,45	1,42	-	0,55	4.000	3.000	70	639,50
252210152	BOX BV 10/10 1	900	1.200	3,66	2,12	-	0,75	4.500	3.600	73	652,30
252210153	BOX BV 10/10 1,5	1.000	1.300	4,65	2,69	-	1,1	5.000	4.000	77	692,10
252210154	BOX BV 10/10 2	1.200	1.300	5,79	3,73	-	1,5	6.000	5.000	80	741,30
252300150	BOX BV 12/12 1/2	500	700	2,1	1,2	-	0,37	4.600	4.000	64	689,30
252300151	BOX BV 12/12 3/4	600	800	2,45	1,42	-	0,55	5.000	4.100	67	708,20
252300152	BOX BV 12/12 1	700	900	3,66	2,12	-	0,75	6.000	4.600	70	716,40
252300153	BOX BV 12/12 1,5	800	1.000	4,65	2,69	-	1,1	6.500	5.000	73	762,20
252300154	BOX BV 12/12 2	900	1.100	5,79	3,73	-	1,5	7.000	6.000	76	829,30
252300155	BOX BV 12/12 3	1.000	1.100	8,26	4,78	-	2,2	8.000	7.500	79	876,40
252370150	BOX BV 15/15 3/4	400	600	2,45	1,42	-	0,55	7.000	4.800	62	817,40
252370151	BOX BV 15/15 1	400	650	3,66	2,12	-	0,75	7.500	5.500	64	824,20
252370152	BOX BV 15/15 1,5	500	700	4,65	2,69	-	1,1	8.000	7.000	67	862,40
252370153	BOX BV 15/15 2	600	750	5,79	3,73	-	1,5	9.000	7.500	70	906,30
252370154	BOX BV 15/15 3	700	850	8,26	4,78	-	2,2	11.500	9.000	74	975,20
252370155	BOX BV 15/15 4	800	900	13,2	7,65	-	3	12.500	10.000	77	1.103,40
252370156	BOX BV 15/15 5,5	850	1.000	15,9	9,21	-	4	14.000	12.000	80	1.215,60
252450150	BOX BV 18/18 1,5	400	550	4,65	2,69	-	1,1	11.000	8.500	67	997,20
252450151	BOX BV 18/18 2	500	600	5,79	3,73	-	1,5	12.500	10.000	72	1.049,50
252450152	BOX BV 18/18 3	550	650	8,26	4,78	-	2,2	14.000	12.000	74	1.106,30
252450153	BOX BV 18/18 4	600	700	13,2	7,65	-	3	15.000	13.500	77	1.248,60
252450154	BOX BV 18/18 5,5	700	850	15,9	9,21	-	4	16.000	15.000	79	1.360,40
252450155	BOX BV 18/18 7,5	750	900	-	12,2	7,04	5,5	18.000	16.000	84	1.602,30
252550150	BOX BV 20/20 2	450	675	5,79	3,73	-	1,5	16.000	7.500	74	1.885,50
252550151	BOX BV 20/20 3	525	800	8,26	4,78	-	2,2	17.500	9.000	76	1.954,60
252550152	BOX BV 20/20 4	550	975	13,2	7,65	-	3	18.500	9.500	77	2.018,40
252550153	BOX BV 20/20 5,5	600	1.000	15,9	9,21	-	4	20.500	10.500	80	2.085,60
252550154	BOX BV 20/20 7,5	675	1.175	-	12,2	7,04	5,5	24.000	12.000	82	2.325,70
252650150	BOX BV 22/22 2	375	575	5,79	3,73	-	1,5	19.000	8.500	73	2.055,60
252650151	BOX BV 22/22 3	425	675	8,26	4,78	-	2,2	22.000	9.500	76	2.123,40
252650152	BOX BV 22/22 4	475	750	13,2	7,65	-	3	25.000	10.500	79	2.169,60
252650153	BOX BV 22/22 5,5	525	800	15,9	9,21	-	4	27.000	12.000	82	2.212,40
252650154	BOX BV 22/22 7,5	575	800	-	12,2	7,04	5,5	29.000	14.000	85	2.469,70
252650155	BOX BV 22/22 10	650	800	-	16,5	9,5	7,5	34.000	20.000	87	2.714,60
252650156	BOX BV 22/22 15	725	800	-	23,5	13,5	11	37.000	30.000	90	3.107,40
252750150	BOX BV 25/25 3	300	475	8,26	4,78	-	2,2	27.000	13.000	72	2.380,40
252750151	BOX BV 25/25 4	325	550	13,2	7,65	-	3	30.000	15.000	75	2.428,60
252750152	BOX BV 25/25 5,5	375	575	15,9	9,21	-	4	33.000	16.000	77	2.551,50
252750153	BOX BV 25/25 7,5	400	650	-	12,2	7,04	5,5	38.000	18.000	81	2.850,60
252750154	BOX BV 25/25 10	475	650	-	16,5	9,5	7,5	45.000	29.000	85	3.014,50
252750155	BOX BV 25/25 15	525	650	-	23,5	13,5	11	47.000	35.000	88	3.595,50
252950150	BOX BV 30/28 3	225	425	8,26	4,78	-	2,2	35.000	16.000	73	2.846,50
252950151	BOX BV 30/28 4	250	450	13,2	7,65	-	3	45.000	16.000	76	2.884,60
252950152	BOX BV 30/28 5,5	275	500	15,9	9,21	-	4	48.000	17.500	77	2.932,50
252950153	BOX BV 30/28 7,5	325	550	-	12,2	7,04	5,5	53.000	18.000	81	3.056,70
252950154	BOX BV 30/28 10	375	550	-	16,5	9,5	7,5	57.000	30.000	83	3.212,30
252950155	BOX BV 30/28 15	400	550	-	23,5	13,5	11	65.000	47.000	86	3.874,50
252950156	BOX BV 30/28 20	425	550	-	30,59	17,68	15	66.000	48.000	88	4.239,50

Ancillaries



RFS ASD INT PE PI VIS TCA TCIA

SOUNDPROOF CABINET INLINE FANS



BT

CENTRIFUGAL LOW PRESSURE FANS



GENERAL FEATURES:

Range with 5 different types from Ø 125 until Ø 315, provided with single phase motors 2 pole. Air-flow from 370 m³/h until 1.500 m³/h.

MANUFACTURING FEATURES:

- Galvanised steel sheet housing.
- Plastic and galvanised steel impeller
- External wiring box.
- External rotor asynchronous, IP-44 protection and rated class B insulation according to DIN 40.050 h1 and ball bearings greased for life. Standard voltages 230V 50Hz.
- NOT SUITABLE TO DRIVE GAZ IN HAZARDOUS AREAS.

APPLICATIONS:

- Specially designed for indoor assembly is suitable for:
- Air renovation in bath rooms, clean shops or any small room where could be a high charge of stuffy air or in environments with bad smells.

SINGLE PHASE RANGE

Code	Model	Max. R.P.M.	Max. Current (A)		O. Power Kw	Max. Air Flow m3/h	Sound dB (A)	Weight Kg	Trd.Price €
			230	400					
250080103	BT 125 M2 73	2.270	0,34	-	73	370	60	2,5	129,70
250090103	BT 160 M2 75	2.430	0,35	-	75	430	62	3	137,90
250090120	BT 160 M2 100	2.430	0,45	-	100	880	63	4	161,70
250100103	BT 200 M2 146	2.460	0,72	-	146	1.150	68	4,5	210,50
250120103	BT 250 M2 210	2.530	0,96	-	210	1.300	69	5	241,50
250110103	BT 315 M2 224	2.510	1,04	-	224	1.500	69	5,5	276,50

Ancillaries



REG



RFS



INT

All the ranges certified by the european laboratory **APPLUS**

SMOKE EMERGENCY FANS ACCORDING TO THE EUROPEAN STANDARD NBE-CPI/96

INSIDE: all the fan including the motor working inside the hazardous area.



HBF AXIAL FANS 400°/2h.



GENERAL FEATURES:

Range with 9 diameters from Ø 450 until Ø 1250, provided with three phase 4, 6 and 8 pole motors 400°C/2H. Air-flow from 5.500 m³/h until 109.000 m³/h.

MANUFACTURING FEATURES:

- Axial fan, circular reinforced frame.
- Motor-impeller assembly through modular system. Cast aluminium impeller variable pitch angle. Epoxy powder coat finishing.
- Squirrel cage asynchronous standard motor, IP-55 protection and rated class H insulation CERTIFIED 400°C/2H. Standard voltages 230/400V 50Hz for three phase, motors up to 5,5HP and 400/690V 50Hz for higher powers.

APPLICATIONS:

- Specially designed for wall mounted:
- Smoke emergency exhaust fans with the motor INSIDE THE HAZARDOUS AREA

UNDER REQUEST:

- "Impelente" impeller (air sense from impeller to motor), 100% reversible impeller.
- 60Hz fans.
- 300°C/1H and 200°C/2H motors
- 2 speed motors 400°C/2H.



INCIDE



**CERTIFIED FANS 400°C/2h.
INSIDE THE HAZARDOUS AREA**



THREE PHASE RANGE

Code	Model	Max. R.P.M.	Max. Current (A)			O. Pw. kw	Max. A. F. m3/h	Sound dB (A)	Weight Kg	Trd.Price €
			230	400	690					
260470296	HBF 45 T4 3/4	1.360	2,46	1,42	-	0,55	7.200	61	65	1.265,31
260480296	HBF 45 T6 3/4	880	3,46	2	-	0,55	5.500	50	64	1.294,10
260500296	HBF 50 T4 3/4	1.410	2,46	1,42	-	0,55	8.500	67	65	1.283,37
260510296	HBF 50 T6 3/4	940	3,46	2	-	0,55	6.000	55	67	1.329,96
260560296	HBF 56 T4 3/4	1.410	2,46	1,42	-	0,55	10.000	70	70	1.435,40
260570296	HBF 56 T4 1	1.400	3,67	2,12	-	0,75	12.000	71	75	1.272,70
260580296	HBF 56 T4 1,5	1.400	4,66	2,69	-	1,1	13.300	72	75	1.330,90
260590296	HBF 56 T4 2	1.420	6,46	3,73	-	1,5	15.000	73	77	1.470,30
260620296	HBF 56 T6 3/4	900	3,46	2	-	0,55	9.300	60	74	1.435,40
260630296	HBF 63 T4 1	1.400	3,67	2,12	-	0,75	13.700	69	77	1.290,20
260640296	HBF 63 T4 1,5	1.400	4,66	2,69	-	1,1	15.000	70	77	1.335,10
260650296	HBF 63 T4 2	1.420	6,46	3,73	-	1,5	18.700	71	79	1.471,20
260660296	HBF 63 T4 3	1.390	8,83	5,1	-	2,2	22.000	72	92	1.649,20
260670296	HBF 63 T4 4	1.400	11,78	6,8	-	3	25.000	73	103	1.881,10
260690296	HBF 63 T6 3/4	900	3,46	2	-	0,55	11.000	61	80	1.457,00
260700296	HBF 63 T6 1	910	4,21	2,43	-	0,75	12.500	62	80	1.508,40
260710296	HBF 71 T4 1,5	1.400	4,66	2,69	-	1,1	18.700	75	98	1.462,60
260720296	HBF 71 T4 2	1.420	6,46	3,73	-	1,5	21.000	76	100	1.602,50
260730296	HBF 71 T4 3	1.390	8,83	5,1	-	2,2	23.000	77	113	1.745,70
260740296	HBF 71 T4 4	1.400	11,78	6,8	-	3	28.000	78	125	1.973,70
260760296	HBF 71 T6 3/4	900	3,46	2	-	0,55	15.000	63	98	1.529,60
260770296	HBF 71 T6 1	910	4,21	2,43	-	0,75	17.000	64	98	1.779,50
260780296	HBF 71 T6 1,5	920	5,07	2,93	-	1,1	18.100	65	105	1.863,10
260800296	HBF 80 T4 3	1.390	8,83	5,1	-	2,2	28.000	80	119	1.802,70
260810296	HBF 80 T4 4	1.400	11,78	6,8	-	3	37.000	81	130	2.058,10
260820296	HBF 80 T4 5,5	1.440	15,42	8,9	-	4	40.500	82	130	2.253,00
260830296	HBF 80 T6 1	910	4,21	2,43	-	0,75	22.500	67	112	1.864,70
260840296	HBF 80 T6 1,5	920	5,07	2,93	-	1,1	25.100	70	115	1.949,70
260850296	HBF 80 T6 2	940	7,31	4,22	-	1,5	29.000	71	117	2.181,50
260860296	HBF 80 T6 3	950	9,53	5,5	-	2,2	32.500	72	129	2.527,70
260880296	HBF 80 T8 3/4	690	3,67	2,12	-	0,55	18.000	67	120	2.422,00
260890296	HBF 80 T8 1	700	4,57	2,64	-	0,75	21.000	68	120	2.799,20
260900296	HBF 90 T4 4	1.400	11,78	6,8	-	3	40.000	84	160	2.194,90
260910296	HBF 90 T4 5,5	1.440	15,42	8,9	-	4	45.000	85	160	2.398,60
260920296	HBF 90 T4 7,5	1.440	-	11,8	6,81	5,5	52.000	87	191	2.542,50
260930296	HBF 90 T4 10	1.450	-	17	9,81	7,5	55.000	88	195	3.019,10
260940296	HBF 90 T6 2	940	7,31	4,22	-	1,5	32.500	75	147	2.393,70
260950296	HBF 90 T6 3	950	9,53	5,5	-	2,2	37.500	76	159	2.628,00
260960296	HBF 90 T6 4	950	12,33	7,12	-	3	42.000	77	188	3.020,70
260970296	HBF 90 T8 1	700	4,57	2,64	-	0,75	20.200	69	150	2.825,70
260990296	HBF 90 T8 2	700	7,98	4,61	-	1,5	25.000	71	162	3.171,20
260090296	HBF 90 T8 3	700	10,91	6,3	-	2,2	28.000	72	188	3.744,00
260100296	HBF 100 T4 7,5	1.440	-	11,8	6,81	5,5	50.000	89	197	2.601,10
260110296	HBF 100 T4 10	1.450	-	17	9,81	7,5	60.000	89	201	3.069,00
260120296	HBF 100 T4 15	1.450	-	24	13,9	11	67.000	90	254	4.236,50
260130296	HBF 100 T4 20	1.455	-	33	19,1	15	72.000	91	264	4.775,70
260140296	HBF 100 T6 3	950	9,53	5,5	-	2,2	42.000	79	165	2.623,40
260150296	HBF 100 T6 4	950	12,33	7,12	-	3	45.000	80	194	3.122,00
260160296	HBF 100 T6 5,5	950	16,11	9,3	-	4	52.000	81	211	3.506,80
260180296	HBF 100 T8 2	700	7,98	4,61	-	1,5	32.000	75	166	3.205,60
260190296	HBF 100 T8 3	700	10,91	6,3	-	2,2	34.000	76	192	3.779,10
260200296	HBF 100 T8 4	700	14,46	8,35	-	3	36.000	77	202	4.388,40
270010296	HBF 125 T4 10	1.450	-	16,18	9,35	7,5	82.000	90	249	3.237,70
270020296	HBF 125 T4 15	1.450	-	22,34	12,9	11	89.500	91	302	4.254,60
270030296	HBF 125 T4 20	1.450	-	30,59	17,68	15	94.000	91	312	4.747,60
270040296	HBF 125 T4 25	1.462	-	37,5	21,67	18,5	97.000	92	340	5.677,20
270050296	HBF 125 T4 30	1.467	-	44,4	25,66	22	109.000	92	352	6.551,10
270060296	HBF 125 T6 4	960	11,9	6,9	-	3	54.500	77	245	3.655,60
270070296	HBF 125 T6 5,5	960	15,05	8,7	-	4	64.000	78	259	3.845,60
270080296	HBF 125 T6 10	970	-	15,4	8,9	7,5	78.000	80	263	4.616,10
270090296	HBF 125 T6 15	970	-	23,3	13,46	11	90.000	82	259	5.443,20

Ancillaries



RFS

ASD

INT

PE



CERTIFIED FANS 400°C/2h. INSIDE THE HAZARDOUS AREA



BOX HBF

SOUNDPROOF AND THERMAL CABINET AXIAL FANS 400°/2h.



GENERAL FEATURES:

Range with 9 box types from 450 until 1250, provided with three phase 4, 6 and 8 pole motors 400°C/2H. Air-flow from 5.500 m³/h until 109.000 m³/h.

MANUFACTURING FEATURES:

- **BOX** : Box manufactured in galvanised steel sheet with sound and thermalproofing. Easy motor access and fan maintenance through removable pannels.
- **Fan** :
- **HBF** : Axial fan, circular reinforced frame. Motor-impeller assembly through modular system. Cast aluminium impeller variable pitch angle. Epoxy powder coat finishing.
- Squirrel cage asincronous standard motor, IP-55 protection and rated class H insulation CERTIFIED 400°C/2H. Standard voltages 230/400V 50Hz for three phase, motors up to 5,5HP and 400/690V 50Hz for higher powers.

APPLICATIONS:

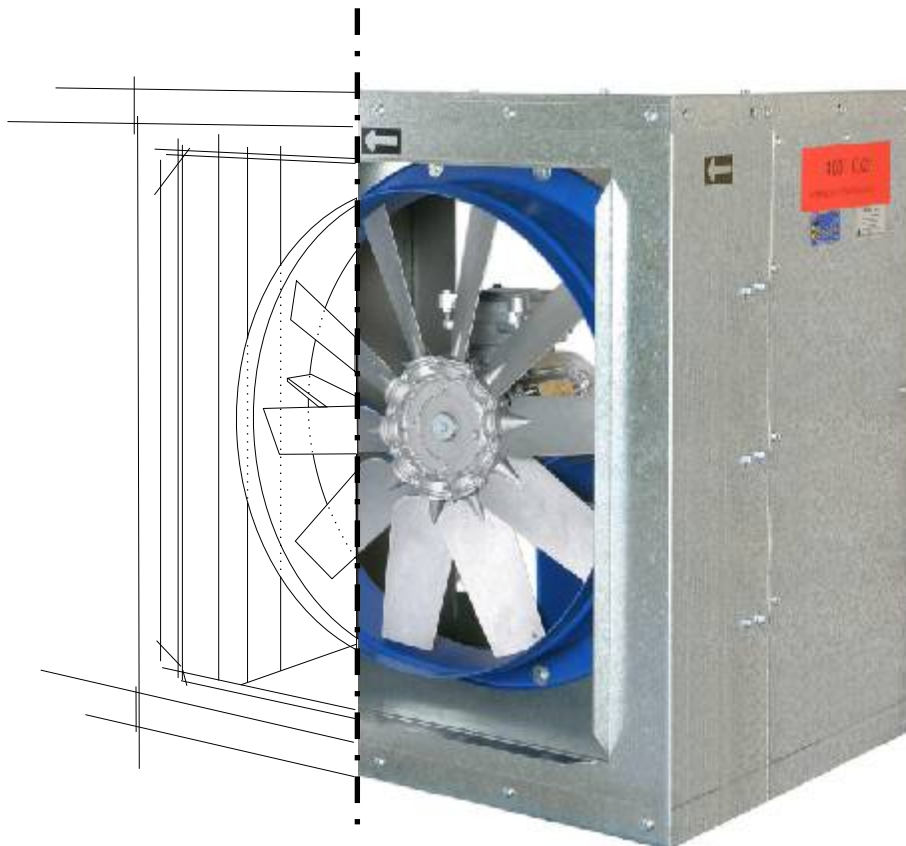
- Specially designed for duct and wall mounting;
- Smoke emergency exhaust fans with the motor **INSIDE THE HAZARDOUS AREA.**
- Due to his design inside a cabinet and with square inlet and outlet the fan do easy the installation in rectangular duct systems.

UNDER REQUEST:

- "Impelente" impeller (air sense from impeller to motor), 100% reversible impeller.
- 60Hz fans.
- 300°C/1H and 200°C/2H motors
- 2 speed motors 400°C/2H.



INCIDE



**CERTIFIED FANS 400°C/2h.
INSIDE THE HAZARDOUS AREA**



THREE PHASE RANGE

Code	Model	Max. R.P.M.	Max. Current (A)			O. Pw. kw	Max. A. F. m3/h	Sound dB (A)	Weight Kg	Trd.Price €
			230	400	690					
260470286	BOX HBF 45 T4 3/4	1.360	2,46	1,42	-	0,55	7.200	61	65	1.413,70
260480286	BOX HBF 45 T6 3/4	880	3,46	2	-	0,55	5.500	50	64	1.563,80
260500286	BOX HBF 50 T4 3/4	1.410	2,46	1,42	-	0,55	8.500	67	65	1.515,80
260510286	BOX HBF 50 T6 3/4	940	3,46	2	-	0,55	6.000	55	67	1.564,10
260560286	BOX HBF 56 T4 3/4	1.410	2,46	1,42	-	0,55	10.000	70	70	1.575,00
260570286	BOX HBF 56 T4 1	1.400	3,67	2,12	-	0,75	12.000	71	75	1.588,30
260580286	BOX HBF 56 T4 1,5	1.400	4,66	2,69	-	1,1	13.300	72	75	1.636,90
260590286	BOX HBF 56 T4 2	1.420	6,46	3,73	-	1,5	15.000	73	77	1.798,60
260620286	BOX HBF 56 T6 3/4	900	3,46	2	-	0,55	9.300	60	74	1.711,30
260630286	BOX HBF 63 T4 1	1.400	3,67	2,12	-	0,75	13.700	69	77	1.574,60
260640286	BOX HBF 63 T4 1,5	1.400	4,66	2,69	-	1,1	15.000	70	77	1.623,10
260650286	BOX HBF 63 T4 2	1.420	6,46	3,73	-	1,5	18.700	71	79	1.768,00
260660286	BOX HBF 63 T4 3	1.390	8,83	5,1	-	2,2	22.000	72	92	1.941,40
260670286	BOX HBF 63 T4 4	1.400	11,78	6,8	-	3	25.000	73	103	2.210,10
260690286	BOX HBF 63 T6 3/4	900	3,46	2	-	0,55	11.000	61	80	1.704,00
260700286	BOX HBF 63 T6 1	910	4,21	2,43	-	0,75	12.500	62	80	1.942,70
260710286	BOX HBF 71 T4 1,5	1.400	4,66	2,69	-	1,1	18.700	75	98	1.752,40
260720286	BOX HBF 71 T4 2	1.420	6,46	3,73	-	1,5	21.000	76	100	1.885,60
260730286	BOX HBF 71 T4 3	1.390	8,83	5,1	-	2,2	23.000	77	113	2.067,40
260740286	BOX HBF 71 T4 4	1.400	11,78	6,8	-	3	28.000	78	125	2.325,60
260760286	BOX HBF 71 T6 3/4	900	3,46	2	-	0,55	15.000	63	98	1.840,50
260770286	BOX HBF 71 T6 1	910	4,21	2,43	-	0,75	17.000	64	98	2.036,80
260780286	BOX HBF 71 T6 1,5	920	5,07	2,93	-	1,1	18.100	65	105	2.173,40
260800286	BOX HBF 80 T4 3	1.390	8,83	5,1	-	2,2	28.000	80	119	2.164,80
260810286	BOX HBF 80 T4 4	1.400	11,78	6,8	-	3	37.000	81	130	2.409,60
260820286	BOX HBF 80 T4 5,5	1.440	15,42	8,9	-	4	40.500	82	130	2.665,80
260830286	BOX HBF 80 T6 1	910	4,21	2,43	-	0,75	22.500	67	112	2.245,90
260840286	BOX HBF 80 T6 1,5	920	5,07	2,93	-	1,1	25.100	70	115	2.262,70
260850286	BOX HBF 80 T6 2	940	7,31	4,22	-	1,5	29.000	71	117	2.576,60
260860286	BOX HBF 80 T6 3	950	9,53	5,5	-	2,2	32.500	72	129	2.855,80
260880286	BOX HBF 80 T8 3/4	690	3,67	2,12	-	0,55	18.000	67	120	2.743,60
260890286	BOX HBF 80 T8 1	700	4,57	2,64	-	0,75	21.000	68	120	3.117,30
260900286	BOX HBF 90 T4 4	1.400	11,78	6,8	-	3	40.000	84	160	2.552,20
260910286	BOX HBF 90 T4 5,5	1.440	15,42	8,9	-	4	45.000	85	160	2.779,30
260920286	BOX HBF 90 T4 7,5	1.440	-	11,8	6,81	5,5	52.000	87	191	3.023,30
260930286	BOX HBF 90 T4 10	1.450	-	17	9,81	7,5	55.000	88	195	3.417,30
260940286	BOX HBF 90 T6 2	940	7,31	4,22	-	1,5	32.500	75	147	2.700,30
260950286	BOX HBF 90 T6 3	950	9,53	5,5	-	2,2	37.500	76	159	2.975,30
260960286	BOX HBF 90 T6 4	950	12,33	7,12	-	3	42.000	77	188	3.449,90
260970286	BOX HBF 90 T8 1	700	4,57	2,64	-	0,75	20.200	69	150	3.196,90
260990286	BOX HBF 90 T8 2	700	7,98	4,61	-	1,5	25.000	71	162	3.528,80
260090286	BOX HBF 90 T8 3	700	10,91	6,3	-	2,2	28.000	72	188	4.091,50
260100286	BOX HBF 100 T4 7,5	1.440	-	11,8	6,81	5,5	50.000	89	197	3.033,10
260110286	BOX HBF 100 T4 10	1.450	-	17	9,81	7,5	60.000	89	201	3.488,90
260120286	BOX HBF 100 T4 15	1.450	-	24	13,9	11	67.000	90	254	4.645,90
260130286	BOX HBF 100 T4 20	1.455	-	33	19,1	15	72.000	91	264	5.263,30
260140286	BOX HBF 100 T6 3	950	9,53	5,5	-	2,2	42.000	79	165	3.024,70
260150286	BOX HBF 100 T6 4	950	12,33	7,12	-	3	45.000	80	194	3.556,90
260160286	BOX HBF 100 T6 5,5	950	16,11	9,3	-	4	52.000	81	211	4.133,40
260180286	BOX HBF 100 T8 2	700	7,98	4,61	-	1,5	32.000	75	166	3.577,80
260190286	BOX HBF 100 T8 3	700	10,91	6,3	-	2,2	34.000	76	192	4.198,30
260200286	BOX HBF 100 T8 4	700	14,46	8,35	-	3	36.000	77	202	4.791,80
270010286	BOX HBF 125 T4 10	1.450	-	16,18	9,35	7,5	82.000	90	249	4.567,40
270020286	BOX HBF 125 T4 15	1.450	-	22,34	12,9	11	89.500	91	302	5.604,90
270030286	BOX HBF 125 T4 20	1.450	-	30,59	17,68	15	94.000	91	312	6.068,80
270040286	BOX HBF 125 T4 25	1.462	-	37,5	21,67	18,5	97.000	92	340	7.063,10
270050286	BOX HBF 125 T4 30	1.467	-	44,4	25,66	22	109.000	92	352	7.924,20
270060286	BOX HBF 125 T6 4	960	11,9	6,9	-	3	54.500	77	245	4.746,80
270070286	BOX HBF 125 T6 5,5	960	15,05	8,7	-	4	64.000	78	259	5.282,30
270080286	BOX HBF 125 T6 10	970	-	15,4	8,9	7,5	78.000	80	263	6.017,30
270090286	BOX HBF 125 T6 15	970	-	23,3	13,46	11	90.000	82	259	6.846,90

Ancillaries



RFS

ASD

INT

PE



**CERTIFIED FANS 400°C/2h.
INSIDE THE HAZARDOUS AREA**



HMF LONG CASED AXIAL FANS 400°/2h.



GENERAL FEATURES:

Range with 5 diameters from Ø 560 until Ø 900, provided with three phase 4, 6 and 8 pole motors 400°C/2H. Air-flow from 9.300 m³/h until 109.000 m³/h.

MANUFACTURING FEATURES:

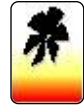
- Long cased axial fan with reinforced body. Motor-impeller assembly through modular system. Cast aluminium impeller variable pitch angle. Epoxy powder coat finishing.
- Housing with motor access door.
- Squirrel cage asincronous standard motor, IP-55 protection and rated class H insulation CERTIFIED 400°C/2H. Standard voltages 230/400V 50Hz for three phase, motors up to 5,5HP and 400/690V 50Hz for higher powers.

APPLICATIONS:

- Specially designed for duct mounting:
- Smoke emergency exhaust fans with the motor **INSIDE THE HAZARDOUS AREA.**

UNDER REQUEST:

- "Impelente" impeller (air sense from impeller to motor), 100% reversible impeller.
- 60Hz fans.
- 300°C/1H and 200°C/2H motors
- 2 speed motors 400°C/2H.



INCIDE

THREE PHASE RANGE

Code	Model	Max. R.P.M.	Max. Current (A)			O. Pw. kw	Max. A. F. m3/h	Weight Kg	Trd.Price €
			230	400	690				
251570286	HMF 56 T4 1	1.400	3,67	2,12	-	0,75	12.000	75	1.273,60
251580286	● HMF 56 T4 1,5	1.400	4,66	2,69	-	1,1	13.300	78	1.384,10
261590286	● HMF 56 T4 2	1.420	6,46	3,73	-	1,5	15.000	79	1.529,10
261620286	HMF 56 T6 3/4	900	3,46	2	-	0,55	9.300	74	1.409,60
261630286	● HMF 63 T4 1	1.400	3,67	2,12	-	0,75	13.700	76	1.312,00
261640286	HMF 63 T4 1,5	1.400	4,66	2,69	-	1,1	15.000	77	1.374,60
261650286	● HMF 63 T4 2	1.420	6,46	3,73	-	1,5	18.700	78	1.530,00
261660286	● HMF 63 T4 3	1.390	8,83	5,1	-	2,2	22.000	80	1.746,70
261670286	● HMF 63 T4 4	1.400	11,78	6,8	-	3	25.000	84	1.975,20
261690286	HMF 63 T6 3/4	900	3,46	2	-	0,55	11.000	80	1.429,80
261700286	● HMF 63 T6 1	910	4,21	2,43	-	0,75	12.500	84	1.568,70
261710286	● HMF 71 T4 1,5	1.400	4,66	2,69	-	1,1	18.700	87	1.521,10
261720286	HMF 71 T4 2	1.420	6,46	3,73	-	1,5	21.000	100	1.542,70
261730286	● HMF 71 T4 3	1.390	8,83	5,1	-	2,2	23.000	103	1.815,50
261740286	HMF 71 T4 4	1.400	11,78	6,8	-	3	28.000	106	2.052,60
261760286	HMF 71 T6 3/4	900	3,46	2	-	0,55	15.000	98	1.460,20
261770286	● HMF 71 T6 1	910	4,21	2,43	-	0,75	17.000	102	1.850,70
261780286	● HMF 71 T6 1,5	920	5,07	2,93	-	1,1	18.100	105	1.937,60
261800286	● HMF 80 T4 3	1.390	8,83	5,1	-	2,2	28.000	112	1.874,80
261810286	HMF 80 T4 4	1.400	11,78	6,8	-	3	37.000	130	2.119,20
261820286	● HMF 80 T4 5,5	1.440	15,42	8,9	-	4	40.500	135	2.345,90
261830286	● HMF 80 T6 1	910	4,21	2,43	-	0,75	22.500	139	2.000,00
261840286	HMF 80 T6 1,5	920	5,07	2,93	-	1,1	25.100	115	2.076,80
261850286	● HMF 80 T6 2	940	7,31	4,22	-	1,5	29.000	120	2.268,80
261860286	● HMF 80 T6 3	950	9,53	5,5	-	2,2	32.500	124	2.628,80
261880286	● HMF 80 T8 3/4	690	3,67	2,12	-	0,55	18.000	128	2.518,80
261890286	● HMF 80 T8 1	700	4,57	2,64	-	0,75	21.000	132	2.911,20
261900286	HMF 90 T4 4	1.400	11,78	6,8	-	3	40.000	138	2.302,20
261910286	● HMF 90 T4 5,5	1.440	15,42	8,9	-	4	45.000	160	2.494,50
261920286	HMF 90 T4 7,5	1.440	-	11,8	6,81	5,5	52.000	180	2.686,50
261940286	HMF 90 T6 2	940	7,31	4,22	-	1,5	32.500	191	2.492,10
261950286	● HMF 90 T6 3	950	9,53	5,5	-	2,2	37.500	147	2.733,10
261960286	● HMF 90 T6 4	950	12,33	7,12	-	3	42.000	155	3.141,50
261970286	● HMF 90 T8 1	700	4,57	2,64	-	0,75	20.200	163	2.938,80
261990286	● HMF 90 T8 2	700	7,98	4,61	-	1,5	25.000	179	3.298,00
261090286	● HMF 90 T8 3	700	10,91	6,3	-	2,2	28.000	182	3.893,70

● New models

Ancillaries



RFS ASD INT PE RP AC BA-400 SIL-C SIL-R

**CERTIFIED FANS 400°C/2h.
INSIDE THE HAZARDOUS AREA**



MBRF CENTRIFUGAL FANS 400°/2h.



MANUFACTURING FEATURES:

- Reinforced rolled steel sheet housings internally and externally fully welded, epoxy powder coat finishing.
- High efficiency backward curved reinforced impeller.
- Squirrel cage asynchronous standard motor, IP-55 protection and rated class H insulation CERTIFIED 400°C/2H. Standard voltages 230/400V 50Hz for three phase, motors up to 5,5HP and 400/690V 50Hz for higher powers.

APPLICATIONS:

- Specially designed for duct mounting:
- Smoke emergency exhaust fans with the **MOTOR INSIDE THE HAZARDOUS AREA** and where high pressures are needed.

UNDER REQUEST:

- Drain hole and inspection door.
- 60Hz fans.
- 300°C/1H and 200°C/2H motors
- 2 speed motors 400°C/2H.

GENERAL FEATURES:

Range with 8 different types from the 31/10 until the 71/22, provided with three phase 4 and 6 pole motors 400°C/2H. Air-flow from 4.000 m³/h until 22.100 m³/h.



INCIDE

Code	Model	Max. R.P.M.	Max. Current (A)			O. Pw. kw	Max. A. F. m3/h	Sound dB (A)	Weight Kg	Trd.Price €
			230	400	690					
243310108	MBRF 31/10 T2 1,5	2.820	5,01	2,9	-	1,1	4.000	81	68	2.614,80
243350108	MBRF 35/11 T2 3	2.860	8,26	4,78	-	2,2	5.550	85	89	2.882,80
243410108	MBRF 40/12 T2 4	2.840	11	6,3	-	3	7.800	88	102	3.170,10
243400108	MBRF 40/12 T4 1	1.450	3,5	2	-	0,75	4.700	73	98	2.240,20
243450108	MBRF 45/14 T4 1,5	1.400	4,7	2,7	-	1,1	6.300	76	109	2.612,60
243510108	MBRF 50/16 T4 2	1.405	6,6	3,8	-	1,5	7.900	81	125	2.961,30
243500108	MBRF 50/16 T6 1	945	3,8	2,2	-	0,75	4.200	71	122	3.104,50
243570108	MBRF 56/18 T4 4	1.410	12,9	7,5	-	3	10.500	83	145	3.712,60
243560108	MBRF 56/18 T6 2	945	6,9	4	-	1,5	6.800	73	135	3.942,50
243650108	MBRF 63/20 T4 7,5	1.470	-	12,8	7,3	5,5	14.200	84	258	4.524,30
243640108	MBRF 63/20 T6 2	945	6,9	4	-	1,5	8.500	76	220	4.083,70
243730108	MBRF 71/22 T4 10	1.465	-	16,5	9,5	7,5	22.100	87	345	5.539,60
243720108	MBRF 71/22 T6 4	950	12,1	7	-	3	15.000	77	335	5.464,80

Ancillaries



RFS ASD INT PE EA EI BA-400 SIL-C SIL-R RH

SMOKE EMERGENCY FANS ACCORDING TO THE EUROPEAN STANDARD NBE-CPI/96



TN/SP

CENTRIFUGAL ROOF FANS (horizontal discharge)



GENERAL FEATURES:

Range with 10 different types from size 05 until 100, provided with single phase 4 and 6 pole and three phase 4, 6, 8 pole motors and 2 SPEED MOTORS. Air-flow from 750 m³/h until 18.000 m³/h and pressures until 60mm wg. Maximum working temperature 130°C in continuous and 400°C/2H.

MANUFACTURING FEATURES:

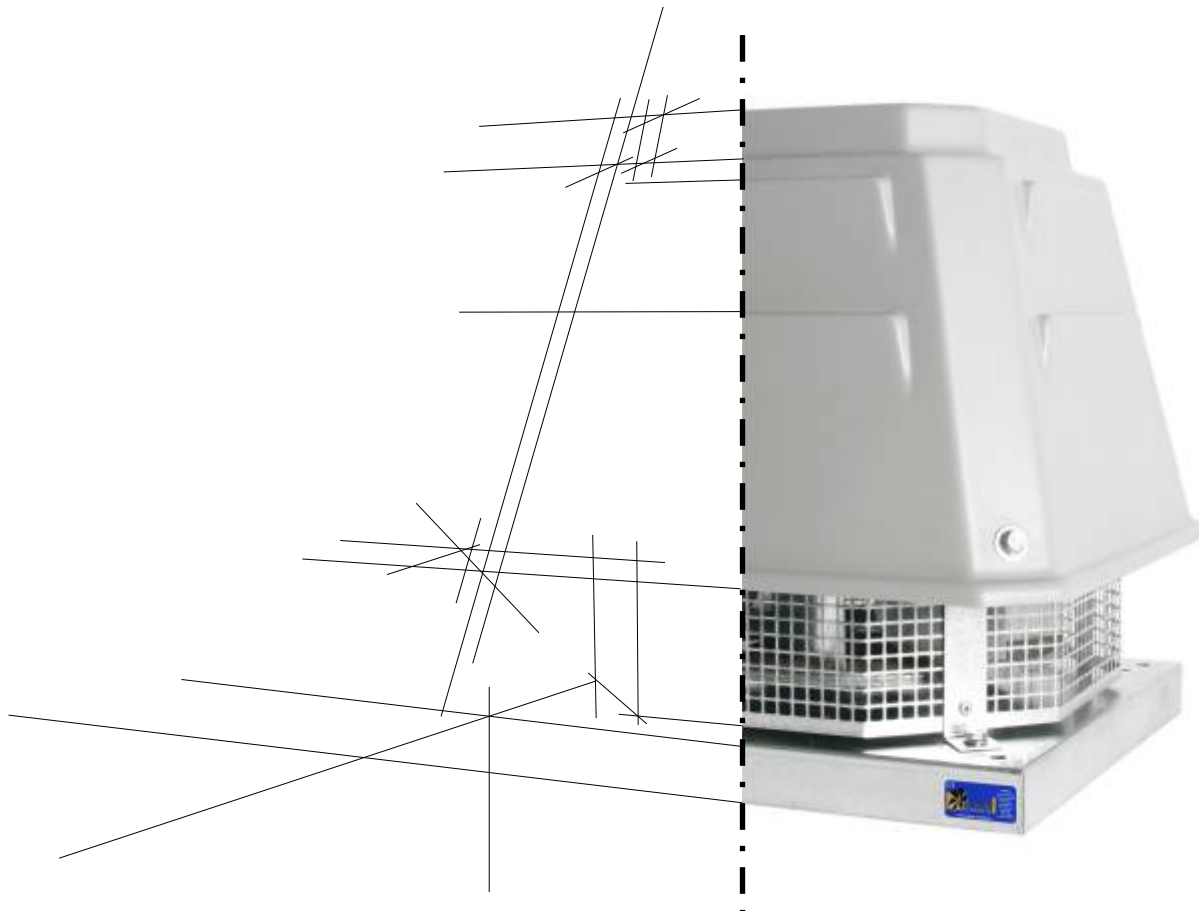
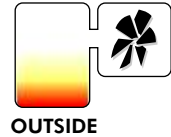
- Roof cowl made of reinforced plastic.
- Roof base support and birds protection guard made of galvanised steel sheet..
- High Efficiency backward curved impellers made of galvanised steel sheet.
- Cooling wheel which allows the correct fan working in case of high temperatures.
- Squirrel cage asynchronous standard motor, IP-55 protection and rated class F insulation. Standard voltages 230V 50Hz for single phase motors, 230/400V 50Hz for three phase motors and 400V for 2 SPEED MOTORS.

APPLICATIONS:

- Specially designed for roof assembly, are suitable for:
- General ventilation.
- Renovation of stuffy air environments in any building and industry.
- Smoke extraction but with the **MOTOR OUTSIDE OF THE AIRSTREAM**
- Industry and professional Kitchen hoods.

UNDER REQUEST:

- 60Hz fans and special voltages.
- Flameproof or explosionproof fans with ATEX certificated motors.
- Aluminium sheet impellers.



**CERTIFIED FANS 400°C/2h.
OUTSIDE THE HAZARDOUS AREA**



SINGLE PHASE RANGE

Code	Model	Max. R.P.M.	Max. Current (A)		O. Power Kw	Max. Air Flow m3/h	Sound dB (A)	Weight Kg	Trd.Price €
			230	400					
300297400	TN/SP 20 M4 1/4**	1.300	1,74	-	0,18	1.800	80	20	558,00
300297500	TN/SP 20 M6 1/7	910	0,92	-	0,09	1.100	71	20	504,60
300297600	TN/SP 30 M4 1/3**	1.360	2,06	-	0,25	3.050	83	28	664,80
300297700	TN/SP 30 M6 1/4	950	1,6	-	0,18	2.000	73	28	694,60
300297800	TN/SP 40 M4 1/2 **	1.350	2,77	-	0,37	4.050	84	34	733,10
300297900	TN/SP 40 M6 1/4	950	1,6	-	0,18	2.650	74	34	676,70
300298000	TN/SP 50 M4 1**	1.390	5,8	-	0,75	5.450	89	45	872,60
300298100	TN/SP 50 M6.1/2	950	2,7	-	0,37	3.600	79	45	940,80

NOTE: THE MARK ** IS FOR FANS FULLY CONTROLLABLE BY VOLTAGE.

THREE PHASE RANGE

Code	Model	Max. R.P.M.	Max. Current (A)		O. Power Kw	Max. Air Flow m3/h	Sound dB (A)	Weight Kg	Trd.Price €
			230	400					
300298400	TN/SP 20 T4 1/4**	1.300	1,22	0,71	0,18	1.800	80	20	518,70
300298500	TN/SP 20 T6 1/7	850	1,22	0,71	0,09	1.100	71	20	820,20
300298600	TN/SP 30 T4 1/3**	1.380	1,6	0,93	0,25	3.050	83	28	619,90
300298700	TN/SP 30 T6 1/4	820	1,36	0,79	0,18	2.000	73	28	632,50
300298800	TN/SP 30 T8 1/7	690	0,86	0,5	0,09	1.500	71	28	728,40
300298900	TN/SP 40 T4 1/2**	1.360	2,05	1,19	0,37	4.050	84	34	695,80
300299000	TN/SP 40 T6 1/4	820	1,36	0,79	0,18	2.650	74	34	683,10
300299100	TN/SP 40 T8 1/7	690	0,86	0,5	0,09	1.900	72	34	753,70
300299200	TN/SP 40 T4/T6 1/2-1/4	1.360/1.300	2,05/1,22	1,19/0,71	0,37/0,18	4.050/2.650	84/74	34	834,00
300299300	TN/SP 50 T4 1**	1.400	3,73	2,16	0,75	5.450	89	45	834,90
300299400	TN/SP 50 T6 1/2	940	2,09	1,21	0,37	3.600	79	45	866,50
300299500	TN/SP 50 T8 1/5	705	1,08	0,63	0,12	2.550	77	45	886,70
300299600	TN/SP 50 T4/T6 1-1/2	1.400/1.360	3,73/2,09	2,16/1,21	0,75/0,37	5.420/3.600	89/79	45	1.010,80
300299700	TN/SP 60 T4 1,5	1.400	4,86	2,81	1,1	7.600	92	54	999,40
300299800	TN/SP 60 T6 1/2	940	2,09	1,21	0,37	5.100	81	54	974,10
300299900	TN/SP 60 T8 1/4	690	1,38	0,8	0,18	3.850	76	54	1.013,40
300300000	TN/SP 60 T4/T6 1,5-1/2	1.400/940	4,86/2,09	2,81/1,21	1,1/0,37	7.600/5.100	92/81	54	1.252,40
300300100	TN/SP 60 T6/T8 1/2-1/4	940/690	2,09/1,38	1,21/0,8	0,37/0,18	5.100/3.850	81/76	54	1.151,20
300300200	TN/SP 70 T6 1	920	3,82	2,21	0,75	6.900	85	63	1.094,20
300300300	TN/SP 70 T8 1/2	700	2,76	1,6	0,37	5.500	78	63	1.328,30
300300400	TN/SP 70 T6/T8 1-1/2	920/700	3,82/2,76	2,21/1,6	0,75/0,37	6.900/5.500	85/78	63	1.593,90
300300500	TN/SP 80 T6 1,5	910	5,06	2,93	1,1	10.700	89	82	1.429,50
300300600	TN/SP 80 T8 3/4	690	4,06	2,35	0,55	8.300	81	82	1.448,50
300300700	TN/SP 80 T6/T8 1,5-3/4	910/690	5,06/4,06	2,93/2,35	1,1/0,55	10.700/8.300	89/81	82	1.771,00
300300800	TN/SP 90 T6 3	960	9,03	5,22	2,2	13.800	94	103	1.669,80
300300900	TN/SP 90 T8 1,5	700	5,79	3,35	1,1	10.900	85	103	1.651,00
300301000	TN/SP 90 T6/T8 3-1,5	960/700	9,03/5,79	5,22/3,35	2,2/1,1	13.800/10.900	94/85	103	2.698,50
300301100	TN/SP 100 T6 4	960	11,93	6,9	3	18.000	98	115	1.948,10
300301200	TN/SP 100 T8 3	720	10,20	5,9	2,2	14.300	88	115	2.087,20
300301300	TN/SP 100 T6/T8 4-3	960/720	11,93/10,20	6,9/5,9	3/2,2	18.000/14.300	98/88	115	3.777,80

NOTE: THE MARK ** IS FOR FANS FULLY CONTROLLABLE BY VOLTAGE.

Ancillaries



RFS INT PE OMCT CBW



**CERTIFIED FANS 400°C/2h.
OUTSIDE THE HAZARDOUS AREA**

TN/VAT CENTRIFUGAL ROOF FANS (vertical discharge)



GENERAL FEATURES:

Range with 10 different types from size 05 until 100, provided with single phase 4 and 6 pole and three phase 4, 6, 8 pole motors and 2 SPEED MOTORS. Air-flow from 750 m³/h until 18.000 m³/h and pressures until 60mm wg. Maximum working temperature 130°C in continuous and 400°C/2H.

MANUFACTURING FEATURES:

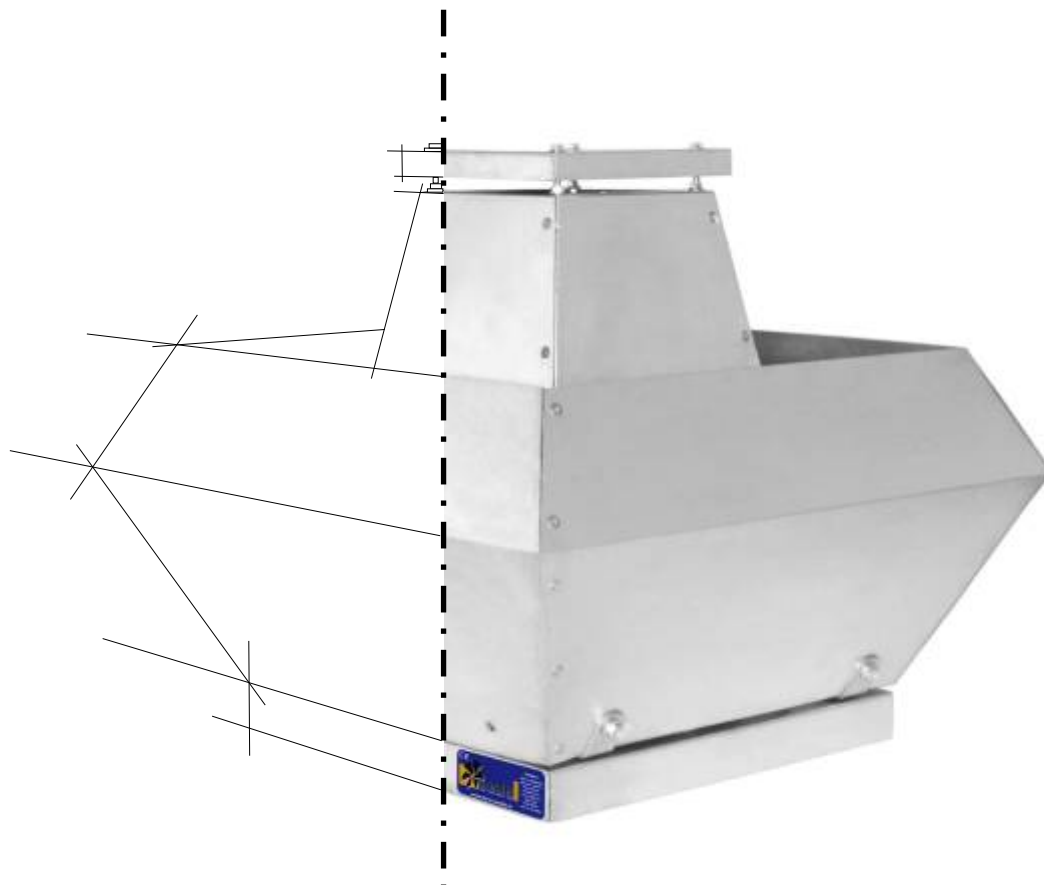
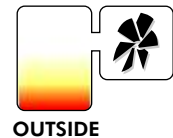
- Roof cowl made of galvised steel sheet.
- Roof base support and birds protection guard made of galvanised steel sheet..
- High Efficiency backward curved impellers made of galvanised steel sheet.
- Cooling wheel which allows the correct fan working in case of high temperatures.
- Squirrel cage asincronous standard motor, IP-55 protection and rated class F insulation. Standard voltages 230V 50Hz for single phase motors, 230/400V 50Hz for three phase motors and 400V for 2 SPEED MOTORS.

APPLICATIONS:

- Specially designed for roof assembly, are suitable for:
- General ventilation.
- Renovation of stuffy air environments in any building and industry.
- Smoke extraction but with the MOTOR OUTSIDE OF THE AIRSTREAM.
- Industry and domestic Kitchen hoods.

UNDER REQUEST:

- 60Hz fans and special voltages.
- Flameproof or explosionproof fans with ATEX certificated motors.
- Aluminium sheet impellers.



**CERTIFIED FANS 400°C/2h.
OUTSIDE THE HAZARDOUS AREA**



SINGLE PHASE RANGE

Code	Model	Max. R.P.M.	Max. Current (A)		O. Power Kw	Max. Air Flow m3/h	Sound dB (A)	Weight Kg	Trd.Price €
			230	400					
300301600	TN/VAT 20 M4 1/4**	1.300	1,74	-	0,18	1.800	80	20	689,70
300301700	TN/VAT 20 M6 1/7	910	0,92	-	0,09	1.100	71	20	637,20
300301800	TN/VAT 30 M4 1/3**	1.360	2,06	-	0,25	3.050	83	28	840,80
300301900	TN/VAT 30 M6 1/4	950	1,6	-	0,18	2.000	73	28	853,90
300302000	TN/VAT 40 M4 1/2 **	1.350	2,77	-	0,37	4.050	84	34	899,90
300302100	TN/VAT 40 M6 1/4	950	1,6	-	0,18	2.650	74	34	853,90
300302200	TN/VAT 50 M4 1**	1.390	5,8	-	0,75	5.450	89	45	1.116,60
300302300	TN/VAT 50 M6.1/2	950	2,7	-	0,37	3.600	79	45	1.169,20

NOTE: THE MARK ** IS FOR FANS FULLY CONTROLLABLE BY VOLTAGE.

THREE PHASE RANGE

Code	Model	Max. R.P.M.	Max. Current (A)		O. Power Kw	Max. Air Flow m3/h	Sound dB (A)	Weight Kg	Trd.Price €
			230	400					
300302600	TN/VAT 20 T4 1/4**	1.300	1,22	0,71	0,18	1.800	80	20	630,60
300302700	TN/VAT 20 T6 1/7	850	1,22	0,71	0,09	1.100	71	20	607,60
300302800	TN/VAT 30 T4 1/3	1.380	1,6	0,93	0,25	3.050	83	28	781,60
300302900	TN/VAT 30 T6 1/4	820	1,36	0,79	0,18	2.000	73	28	768,50
300303000	TN/VAT 30 T8 1/7	690	0,86	0,5	0,09	1.500	71	28	828,70
300303100	TN/VAT 40 T4 1/2	1.360	2,05	1,19	0,37	4.050	84	34	847,30
300303200	TN/VAT 40 T6 1/4	820	1,36	0,79	0,18	2.650	74	34	826,20
300303300	TN/VAT 40 T8 1/7	690	0,86	0,5	0,09	1.900	72	34	894,50
300303400	TN/VAT 40 T4/T6 1/2-1/4	1.360/1.300	2,05/1,22	1,19/0,71	0,37/0,18	4.050/2.650	84/74	34	1.011,50
300303500	TN/VAT 50 T4 1	1.400	3,73	2,16	0,75	5.450	89	45	1.044,40
300303600	TN/VAT 50 T6 1/2	940	2,09	1,21	0,37	3.600	79	45	1.103,50
300303700	TN/VAT 50 T8 1/5	705	1,08	0,63	0,12	2.550	77	45	1.091,80
300303800	TN/VAT 50 T4/T6 1-1/2	1.400/1.360	3,73/2,09	2,16/1,21	0,75/0,37	5.420/3.600	89/79	45	1.228,30
300303900	TN/VAT 60 T4 1,5	1.400	4,86	2,81	1,1	7.600	92	54	1.195,40
300304000	TN/VAT 60 T6 1/2	940	2,09	1,21	0,37	5.100	81	54	1.182,30
300304100	TN/VAT 60 T8 1/4	690	1,38	0,8	0,18	3.850	76	54	1.170,70
300304200	TN/VAT 60 T4/T6 1,5-1/2	1.400/940	4,86/2,09	2,81/1,21	1,1/0,37	7.600/5.100	92/81	54	1.445,00
300304300	TN/VAT 60 T6/T8 1/2-1/4	940/690	2,09/1,38	1,21/0,8	0,37/0,18	5.100/3.850	81/76	54	1.418,70
300304400	TN/VAT 70 T6 1	920	3,82	2,21	0,75	6.900	85	63	1.392,50
300304500	TN/VAT 70 T8 1/2	700	2,76	1,6	0,37	5.500	78	63	1.530,40
300304600	TN/VAT 70 T6/T8 1-1/2	920/700	3,82/2,76	2,21/1,6	0,75/0,37	6.900/5.500	85/78	63	1.832,50
300304700	TN/VAT 80 T6 1,5	910	5,06	2,93	1,1	10.700	89	82	1.668,30
300304800	TN/VAT 80 T8 3/4	690	4,06	2,35	0,55	8.300	81	82	1.688,00
300304900	TN/VAT 80 T6/T8 1,5-3/4	910/690	5,06/4,06	2,93/2,35	1,1/0,55	10.700/8.300	89/81	82	2.088,70
300305000	TN/VAT 90 T6 3	960	9,03	5,22	2,2	13.800	94	103	1.885,10
300305100	TN/VAT 90 T8 1,5	700	5,79	3,35	1,1	10.900	85	103	1.917,90
300305200	TN/VAT 90 T6/T8 3-1,5	960/700	9,03/5,79	5,22/3,35	2,2/1,1	13.800/10.900	94/85	103	2.292,30
300305300	TN/VAT 100 T6 4	960	11,93	6,9	3	18.000	98	115	2.167,50
300305400	TN/VAT 100 T8 3	720	10,20	5,9	2,2	14.300	88	115	2.312,00
300305500	TN/VAT 100 T6/T8 4-3	960/720	11,93/10,20	6,9/5,9	3/2,2	18.000/14.300	98/88	115	3.008,20

NOTE: THE MARK ** IS FOR FANS FULLY CONTROLLABLE BY VOLTAGE.

Ancillaries



RFS



INT



PE



OMCT



CBW



**CERTIFIED FANS 400°C/2h.
OUTSIDE THE HAZARDOUS AREA**



MBC/FA CENTRIFUGAL CUBIC FANS 400°/2h.



GENERAL FEATURES:

Range with 6 diferent types from the 40/12 until the 71/22, provided with three phase and single phase 4 and 6 pole motors. Air-flow from 4.000 m³/h until 22.100 m³/h. Maximum temperature in continuous and in standard mounitg 130°C.

MANUFACTURING FEATURES:

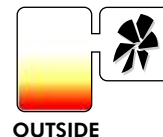
- Reinforced rolled steel sheet housings internally and externally fully welded, epoxy powder coat finishing..
- High efficiency backward curved reinforced impeller.
- Squirrel cage asincronous standard motor, IP-55 protection and rated class F insulation. Standard voltages 230V 50Hz for single phase motors and 230/400V 50Hz for three phase, motors up to 5,5HP, and 400/690V 50Hz for higher powers.

APPLICATIONS:

- Specially designed for duct mounting:
- Smoke emergency exhaust fans with the motor OUTSIDE OF THE HAZARDOUS AREA and where high pressures are needed.
- Exhausting of hot air inside oven or in any installation with high temperature.

UNDER REQUEST:

- Drain hole and inspection door.
- 60Hz fans and special voltages.
- Hot air transport.
- Hot dip galvanised or stainless steel housing.
- 2 speed motors.



SINGLE PHASE RANGE

Code	Model	Max. R.P.M.	Max. Current (A)		O. Power Kw	Max. Air Flow m3/h	Sound dB (A)	Weight Kg	Trd.Price €
			230	400					
253310173	MBC/FA 25/10 M4 1,5	1.380	7,09	-	1,1	3.500	70	63	605,20
253300173	MBC/FA 25/10 M6 3/4	960	3,52	-	0,55	1.900	62	61	723,40
253380173	MBC/FA 28/11 M6 1	920	5,5	-	0,75	3.600	60	67	937,30

THREE PHASE RANGE

Code	Model	Max. R.P.M.	Max. Current (A)			O. Pw. kw	Max.A.F. m3/h	Sound dB (A)	Weight Kg	Trd.Price €
			230	400	690					
253310186	MBC/FA 25/10 T4 1,5	1.400	4,87	2,81	-	1,1	3.500	70	64	588,20
253300186	MBC/FA 25/10 T6 3/4	920	2,92	1,69	-	0,55	1.900	62	63	701,70
253360186	MBC/FA 28/11 T2 5,5	2.840	14,9	9,6	-	4	4.000	81	66	812,20
253370186	MBC/FA 28/11 T4 3	1.420	9,2	5,31	-	2,2	5.000	82	75	734,90
253380186	MBC/FA 28/11 T6 1	920	3,82	2,21	-	0,75	3.600	60	69	708,30
253460186	MBC/FA 31/12 T4 4	1.410	11,53	6,66	-	3	5.700	72	72	915,00
253450186	MBC/FA 31/12 T4 5,5	1.440	17,1	9,86	-	4	6.800	73	73	983,90
253430186	MBC/FA 31/12 T6 2	940	6,6	3,8	-	1,5	4.500	66	71	893,50
253480186	MBC/FA 35/14 T4 4	1.410	11,53	6,66	-	3	6.000	78	75	987,90
253490186	MBC/FA 35/14 T4 7,5	1.410	-	12,8	7,3	5,5	8.700	79	79	1.211,60
253470186	MBC/FA 35/14 T6 2	940	6,6	3,8	-	1,5	5.500	70	73	963,30
253510186	MBC/FA 40/16 T4 7,5	1.410	-	12,8	7,3	5,5	9.000	78	87	1.316,20
253520186	MBC/FA 40/16 T4 10	1.420	-	16,5	9,5	7,5	10.500	79	89	1.410,20
253500186	MBC/FA 40/16 T6 3	960	9,04	5,22	-	2,2	7.000	71	86	1.204,40
253530186	MBC/FA 45/18 T4 7,5	1.410	-	12,8	7,3	5,5	8.000	80	91	1.357,50
253540186	MBC/FA 45/18 T4 10	1.420	-	16,5	9,5	7,5	11.000	82	93	1.454,80
253560186	MBC/FA 45/18 T6 3	960	9,04	5,22	-	2,2	9.000	76	90	1.290,00

Ancillaries



RFS ASD INT PE OI EA EI BA-400 SIL-C SIL-R RH

**CERTIFIED FANS 400°C/2h.
OUTSIDE THE HAZARDOUS AREA**



MBRC/FA CENTRIFUGAL CUBIC FANS 400°/2h. (Backward curved impeller)



GENERAL FEATURES:

Range with 6 different types from the 40/12 until the 71/22, provided with three phase and single phase 4 and 6 pole motors. Air-flow from 4.000 m³/h until 22.100 m³/h. Maximum temperature in continuous and in standard mounting 130°C.

MANUFACTURING FEATURES:

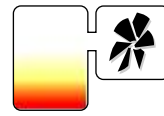
- Reinforced rolled steel sheet housings internally and externally fully welded, epoxy powder coat finishing.
- High efficiency backward curved reinforced impeller.
- Squirrel cage asynchronous standard motor, IP-55 protection and rated class F insulation. Standard voltages 230V for single phase motors and 230/400V 50Hz for three phase, motors up to 5,5HP and 400/690V 50Hz for higher powers.

APPLICATIONS:

- Specially designed for duct mounting:
- Smoke emergency exhaust fans with the motor OUTSIDE OF THE HAZARDOUS AREA and where high pressures are needed.
- Exhausting of hot air inside oven or in any installation with high temperature.
- Clean air transport or with light dust charge.

UNDER REQUEST:

- Drain hole and inspection door.
- 60Hz fans and special voltages.
- Hot air transport.
- Hot dip galvanised or stainless steel housing.
- 2 speed motors.



OUTSIDE

SINGLE PHASE RANGE

Code	Model	Max. R.P.M.	Max. Current (A)			O. Power Kw	Max. Air Flow m3/h	Sound dB (A)	Weight Kg	Trd.Price €
			230	400	690					
243400173	MBRC/FA 40/12 M4 1	1.320	5,49	-	0,75	4.700	72	71	1.333,40	
243450173	MBRC/FA 45/14 M4 1,5	1.380	7,09	-	1,1	5.800	73	90	1.458,60	
243510173	MBRC/FA 50/16 M4 2	1.380	9,94	-	1,5	6.500	76	74	1.796,40	
243500173	MBRC/FA 50/16 M6 1	920	5,5	-	0,75	4.300	70	69	1.840,50	

THREE PHASE RANGE

Code	Model	Max. R.P.M.	Max. Current (A)			O. Pw. kw	Max.A.F. m3/h	Sound dB (A)	Weight Kg	Trd.Price €
			230	400	690					
243410186	MBRC/FA 40/12 T2 4	2.880	12,48	7,21	-	3	7.700	85	82	1.098,30
243400186	MBRC/FA 40/12 T4 1	1.400	3,74	2,16	-	0,75	4.700	72	71	1.247,90
243450186	MBRC/FA 45/14 T4 1,5	1.400	4,87	2,81	-	1,1	5.800	73	90	1.426,30
243510186	MBRC/FA 50/16 T4 2	1.420	6,32	3,65	-	1,5	6.500	76	74	1.769,00
243500186	MBRC/FA 50/16 T6 1	920	3,81	2,21	-	0,75	4.300	70	69	1.816,80
243570186	MBRC/FA 56/18 T4 4	1.410	11,53	6,66	-	3	10.500	80	97	2.079,20
243560186	MBRC/FA 56/18 T6 2	940	6,6	3,8	-	1,5	6.800	70	89	2.178,80
243650186	MBRC/FA 63/20 T4 7,5	1.450	-	12,8	7,3	5,5	14.200	83	155	2.452,60
243640186	MBRC/FA 63/20 T6 2	940	6,6	3,8	-	1,5	8.500	72	113	2.397,60
243730186	MBRC/FA 71/22 T4 10	1.420	-	16,5	9,5	7,5	22.200	85	256	3.669,80
243720186	MBRC/FA 71/22 T6 4	960	12	6,9	-	3	15.000	77	205	3.070,80

Ancillaries



RFS ASD INT PE OI EA EI BA-400 SIL-C SIL-R RH



**CERTIFIED FANS 400°C/2h.
OUTSIDE THE HAZARDOUS AREA**



MRL CABINET LOW PRESSURE FANS "INLINE" direct driven 400°C/2h.



GENERAL FEATURES:

Range with 8 different types from the 315 until the 800, provided with three phase 4, 6 and 8 pole motors. Air-flow from 2.000 m³/h until 22.900 m³/h. Maximum temperature 85 in continuous working.

MANUFACTURING FEATURES:

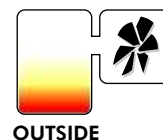
- Fully manufactured in galvanised steel sheet.
- High efficiency backward curved reinforced impeller.
- Squirrel cage asynchronous standard motor, IP-55 protection and rated class F insulation. Standard voltages 230/400V 50Hz.

APPLICATIONS:

- Specially designed for duct mounting:
- Smoke emergency exhaust fans with the motor OUTSIDE OF THE HAZARDOUS AREA and where high pressures are needed.
- Transport of clean air or with light dust charge.

UNDER REQUEST:

- 60Hz fans and special voltages.
- Single phase motors.
- 2 speed motors.



THREE PHASE RANGE

Code	Model	Max. R.P.M.	Max. Current (A)		O. Power Kw	Max. Air Flow m3/h	Sound dB (A)	Weight Kg	Trd.Price €
			230	400					
240310186	MRL 315 T4 1/6	1.430	1,08	0,6	0,15	2.000	54	20	750,20
240350186	MRL 350 T4 1/3	1.420	1,5	0,8	0,25	3.580	58	30	912,60
240400186	MRL 400 T4 1/2	1.420	2,1	1,2	0,37	4.760	62	35	1.053,70
240450186	MRL 450 T4 1	1.430	3,6	2,1	0,75	6.650	66	45	1.338,30
240560186	MRL 560 T6 3/4	800	2,4	1,9	0,55	7.650	60	65	1.452,00
240570186	MRL 560 T8 1/3	620	1,5	0,8	0,25	5.900	53	65	1.590,50
240630186	MRL 630 T6 1	825	3,6	2,1	0,75	11.100	62	83	2.247,50
240640186	MRL 630 T8 1/2	615	2,1	1,2	0,37	7.500	56	83	2.079,90
240710186	MRL 710 T6 2	825	5,7	3,7	1,5	14.200	66	105	2.879,60
240720186	MRL 710 T8 1	610	3,6	2,1	0,75	9.500	58	105	2.344,10
240800186	MRL 800 T6 4	815	13,2	7,6	3	22.900	68	120	3.033,80
240810186	MRL 800 T8 3	615	8,2	4,7	2,2	17.000	60	120	2.972,50

Ancillaries



RFS



ASD



INT



PE

**CERTIFIED FANS 400°C/2h.
OUTSIDE THE HAZARDOUS AREA**



BVF CABINET FANS belt driven 400°/2h.



GENERAL FEATURES:

Range with 9 different sizes from 9/9 until 30/28, provided with three phase 4 pole motors. Air-flow from 700 m³/h until 66.000 m³/h.

MANUFACTURING FEATURES:

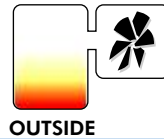
- Fans fitted in thermalproofing and soundproofing cabinets.
- Double inlet forward curved impeller.
- The transmission set is situated OUTSIDE OF THE AIRSTREAM, and include the belts protection guard.
- Transmission bearings specially designed for high temperature.
- Squirrel cage asynchronous standard motor, IP55 protection and rated class F insulation. Standard voltages 230/400V 50Hz for three phase, motors up to 5,5HP and 400/690V 50Hz for higher powers.

APPLICATIONS:

- Specially designed for indoor or outdoor assembly, are suitable for:
- Smoke emergency exhaust fans with the motor OUTSIDE OF THE HAZARDOUS AREA and where high pressures are needed.
- Smoke and steam extraction in industrial and professional cooking hoods.

UNDER REQUEST:

- 60Hz fans and special voltages.
- 2 SPEED MOTORS.
- Box for Outdoor fitting.



THREE PHASE RANGE

Code	Model	Max. R.P.M.	Min. R.P.M.	Max. Current (A)			O. Pw. kw	Max.A.F.		Sound dB (A)	Weight Kg	Trd.Price €
				230	400	690		R.P.M. min.	R.P.M. max.			
242180180	BVF 9/9 1/2	800	1.100	2,1	1,2	-	0,37	3.500	2.500	70	40	954,10
242180181	BVF 9/9 3/4	1.000	1.400	2,45	1,42	-	0,55	3.800	2.700	73	42	964,40
242180182	BVF 9/9 1	1.100	1.400	3,66	2,12	-	0,75	4.200	3.800	77	43	983,40
242180183	BVF 9/9 1,5	1.250	1.400	4,65	2,69	-	1,1	4.600	5.100	80	46	1.002,20
242210180	BVF 10/10 1/2	700	1.000	2,1	1,2	-	0,37	3.500	2.600	68	47	1.002,60
242210181	BVF 10/10 3/4	800	1.100	2,45	1,42	-	0,55	4.000	3.000	70	49	1.019,30
242210182	BVF 10/10 1	900	1.200	3,66	2,12	-	0,75	4.500	3.600	73	50	1.035,90
242210183	BVF 10/10 1,5	1.000	1.300	4,65	2,69	-	1,1	5.000	4.000	77	54	1.059,90
242210184	BVF 10/10 2	1.200	1.300	5,79	3,73	-	1,5	6.000	5.000	80	59	1.082,10
242300180	BVF 12/12 1/2	500	700	2,1	1,2	-	0,37	4.600	4.000	64	69	1.283,90
242300181	BVF 12/12 3/4	600	800	2,45	1,42	-	0,55	5.000	4.100	67	71	1.308,00
242300182	BVF 12/12 1	700	900	3,66	2,12	-	0,75	6.000	4.600	70	72	1.322,90
242300183	BVF 12/12 1,5	800	1.000	4,65	2,69	-	1,1	6.500	5.000	73	75	1.340,70
242300184	BVF 12/12 2	900	1.100	5,79	3,73	-	1,5	7.000	6.000	76	79	1.372,20
242300185	BVF 12/12 3	1.000	1.100	8,26	4,78	-	2,2	8.000	7.500	79	87	1.438,30
242370180	BVF 15/15 3/4	400	600	2,45	1,42	-	0,55	7.000	4.800	62	90	1.597,50
242370181	BVF 15/15 1	400	650	3,66	2,12	-	0,75	7.500	5.500	64	91	1.610,30
242370182	BVF 15/15 1,5	500	700	4,65	2,69	-	1,1	8.000	7.000	67	94	1.628,40
242370183	BVF 15/15 2	600	750	5,79	3,73	-	1,5	9.000	7.500	70	95	1.644,10
242370184	BVF 15/15 3	700	850	8,26	4,78	-	2,2	11.500	9.000	74	103	1.707,10
242370185	BVF 15/15 4	800	900	13,2	7,65	-	3	12.500	10.000	77	105	1.723,70
242370186	BVF 15/15 5,5	850	1.000	15,9	9,21	-	4	14.000	12.000	80	110	1.867,90
242450180	BVF 18/18 1,5	400	550	4,65	2,69	-	1,1	11.000	8.500	67	127	1.803,80
242450181	BVF 18/18 2	500	600	5,79	3,73	-	1,5	12.500	10.000	72	131	1.819,10
242450182	BVF 18/18 3	550	650	8,26	4,78	-	2,2	14.000	12.000	74	139	1.868,90
242450183	BVF 18/18 4	600	700	13,2	7,65	-	3	15.000	13.500	77	141	1.914,80
242450184	BVF 18/18 5,5	700	850	15,9	9,21	-	4	16.000	15.000	79	146	2.027,90
242450185	BVF 18/18 7,5	750	900	-	12,2	7,04	5,5	18.000	16.000	84	160	2.190,60

Ancillaries

RFS ASD INT PE PI VIS PM TCA



**CERTIFIED FANS 400°C/2h.
OUTSIDE THE HAZARDOUS AREA**



BVF CABINET FANS belt driven 400°/2h.



GENERAL FEATURES:

Range with 9 different sizes from 9/9 until 30/28, provided with three phase 4 pole motors. Air-flow from 700 m³/h until 66.000 m³/h.

MANUFACTURING FEATURES:

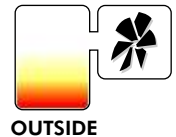
- Fans fitted in thermalproofing and soundproofing cabinets.
- Double inlet forward curved impeller.
- The transmission set is situated OUTSIDE OF THE AIRSTREAM, and include the belts protection guard.
- Transmission bearings specially designed for high temperature.
- Squirrel cage asynchronous standard motor, IP55 protection and rated class F insulation. Standard voltages 230/400V 50Hz for three phase, motors up to 5,5HP and 400/690V 50Hz for higher powers.

APPLICATIONS:

- Specially designed for indoor or outdoor assembly, are suitable for:
- Smoke emergency exhaust fans with the motor OUTSIDE OF THE HAZARDOUS AREA and where high pressures are needed.
- Smoke and steam extraction in industrial and professional cooking hoods.

UNDER REQUEST:

- 60Hz fans and special voltages.
- 2 SPEED MOTORS.
- Box for Outdoor fitting.



THREE PHASE RANGE

Code	Model	Max. R.P.M.	Min. R.P.M.	Max. Current (A)			O. Pw. kw	Max.A.F.		Sound dB (A)	Weight Kg	Trd.Price €
				230	400	690		R.P.M. min.	R.P.M. max.			
242550181	BVF 20/20 3	525	800	8,26	4,78	-	2,2	17.500	9.000	76	255	2.722,00
242550182	BVF 20/20 4	550	975	13,2	7,65	-	3	18.500	9.500	77	256	2.741,10
242550183	BVF 20/20 5,5	600	1.000	15,9	9,21	-	4	20.500	10.500	80	261	2.741,10
242550184	BVF 20/20 7,5	675	1.175	-	12,2	7,04	5,5	24.000	12.000	82	275	2.888,10
242550185	BVF 20/20 10	725	1.175	-	16,5	9,5	7,5	25.000	13.000	84	280	3.077,50
242650181	BVF 22/22 3	425	675	8,26	4,78	-	2,2	22.000	9.500	76	285	3.171,60
242650182	BVF 22/22 4	475	750	13,2	7,65	-	3	25.000	10.500	79	287	3.406,80
242650183	BVF 22/22 5,5	525	800	15,9	9,21	-	4	27.000	12.000	82	291	3.444,60
242650184	BVF 22/22 7,5	575	800	-	12,2	7,04	5,5	29.000	14.000	85	297	3.542,30
242650185	BVF 22/22 10	650	800	-	16,5	9,5	7,5	34.000	20.000	87	304	3.718,50
242650186	BVF 22/22 12,5	700	800	-	20,5	11,8	9,2	35.000	22.000	88	312	3.879,40
242650187	BVF 22/22 15	725	800	-	23,5	13,5	11	37.000	30.000	90	316	4.105,10
242750181	BVF 25/25 3	300	475	8,26	4,78	-	2,2	27.000	13.000	72	329	4.330,80
242750182	BVF 25/25 4	325	550	13,2	7,65	-	3	30.000	15.000	75	331	3.779,80
242750183	BVF 25/25 5,5	375	575	15,9	9,21	-	4	33.000	16.000	77	336	3.797,40
242750184	BVF 25/25 7,5	400	650	-	12,2	7,04	5,5	38.000	18.000	81	247	3.917,20
242750185	BVF 25/25 10	475	650	-	16,5	9,5	7,5	45.000	29.000	85	357	4.097,60
242760186	BVF 25/25 12,5	475	650	-	20,5	11,8	9,2	46.000	32.000	86	363	4.272,40
242770186	BVF 25/25 15	525	650	-	23,5	13,5	11	47.000	35.000	88	380	4.517,70
242950180	BVF 30/28 3	225	425	8,26	4,78	-	2,2	35.000	16.000	73	410	4.763,40
242950181	BVF 30/28 4	250	450	13,2	7,65	-	3	45.000	16.000	76	418	4.368,60
242950182	BVF 30/28 5,5	275	500	15,9	9,21	-	4	48.000	17.500	77	426	4.449,40
242950183	BVF 30/28 7,5	325	550	-	12,2	7,04	5,5	53.000	18.000	81	438	4.526,10
242950184	BVF 30/28 10	375	550	-	16,5	9,5	7,5	57.000	30.000	83	444	4.765,70
242950185	BVF 30/28 12,5	375	550	-	20,5	11,8	9,2	60.000	42.000	84	452	4.864,20
242950186	BVF 30/28 15	400	550	-	23,5	13,5	11	65.000	47.000	86	458	5.087,80
242950187	BVF 30/28 20	425	550	-	30,59	17,68	15	66.000	48.000	88	462	5.312,60

Ancillaries



DOMESTIC RANGE



DOMESTIC RANGE

Exhausting axial fans discharging to a single pipe, "shunt" or directly outside. Plastic made, shock proof thermal resistant. According to the security standards with thermal souble insulation. Self greased bearings. Automatic shutter for standardmatic series.

SINGLE PHASE RANGE

Code	Model	Weight Kg	Power W	Air Flow m3/h	Sound dB (A)	Trd. Price €
201010103	Standard 8	0,4	15	35	36	33,10
201020103	Standard 10	0,5	21	88	39	42,20
201030103	Standard 12	0,65	23	125	39	44,10
201040103	Standard 15	1,6	36	230	44	79,30
201050103	Standardmatic 10	0,7	21	90	38	68,30
201240103	Ventimatic 10	0,7	20	68	42	87,60
202000103	BCD 350	3,5	70	360	49	75,90
202020103	BCD 500	4	95	520	52	91,70



STANDARD 8/10/12/15



STANDARDMATIC 10



VENTIMATIC 10



BCD 350



BCD 500