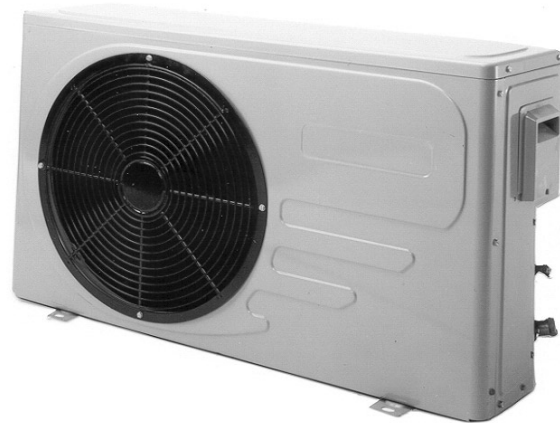


**HDCF SERIES**  
50 Hz

**Horizontal Discharge  
Split System Air  
Conditioning**

**1 to 2 Ton**  
[5.28 kW to 10.54 kW]



*The HDCF mini-split system has a narrow footprint that is ideal for ground-level, rooftop or wall-mount applications. It is designed for use with a typical mini-split indoor section, as well as standard air handlers or indoor coils.*

**Standard Features**

- Modern compact design with quiet operating horizontal discharge air
- Copper tube, aluminum fin construction
- Brass suction and liquid line shut-off valves with flare connections
- Liquid shut-off valve provided with built-in flowrator expansion device
- Fully charged for 7 m tubing length
- Line voltage control circuit suitable for connection to typical mini-split indoor section
- Totally enclosed, permanently lubricated condenser motor designed for PSC operation
- Isolated compressor compartment
- Factory-installed liquid line filter drier
- Quiet, hermetically sealed reciprocating compressor with internal overload protection or rotary compressor with external overload protection

**Cabinet Construction**

- Weather-resistant baked powder enamel paint finish with 500-hour salt spray approval
- Heavy-gauge, G90 galvanized steel sheet metal

**Third Party Tested**

- Independent third-party performance tested with matching indoor sections by ETL Testing Laboratories, Inc., per ARI Standard 210-240

# PRODUCT SPECIFICATIONS

## Specifications

### Physical Data

|   | HDCF12-2A   | HDCF18-2    | HDCF24-2    |
|---|-------------|-------------|-------------|
| Fan Diameter - cm (in)                              | 6.3 (16)    | 7.1 (18)    | 7.1 (18)    |
| Fan RPM   | 950         | 950         | 950         |
| Coil Face Area - m <sup>2</sup> (ft <sup>2</sup> )  | .46 (4.9)   | .54 (6.1)   | .54 (6.1)   |
| Tube Diameter - mm (in)                             | 9.52 (3/8)  | 9.52 (3/8)  | 9.52 (3/8)  |
| Number of Rows/Fins - cm (in)                       | 1/7.5 (19)  | 1/7.5 (19)  | 1/7.5 (19)  |
| Number of Tubes                                     | 16          | 20          | 20          |
| Fin Type  | RIPPLED     | RIPPLED     | RIPPLED     |
| Refrigerant Connection - Liquid Diameter - mm (in)  | 9.27 (3/8)  | 9.27 (3/8)  | 9.27 (3/8)  |
| Refrigerant Connection - Suction Diameter - mm (in) | 15.88 (5/8) | 15.88 (5/8) | 15.88 (5/8) |
| Refrigerant Connection Type                         | FLARE       | FLARE       | FLARE       |
| Shipping Weight - kg/lbs.                           | 54.5/120    | 61.3/135    | 64.0/141    |

### Electrical Data

| Model     | Power Supply |    |    | +Minimum Circuit Ampacity | *Maximum Overcurrent Protection | Max Volts | Min Volts | Compressor |      |         | Condenser Fan Motor |      |         |
|-----------|--------------|----|----|---------------------------|---------------------------------|-----------|-----------|------------|------|---------|---------------------|------|---------|
|           | Volts        | PH | HZ |                           |                                 |           |           | RLA        | LRA  | Volts   | FLA                 | HP   | Volts   |
| HDCF12-2A | 220/240      | 1  | 50 | 10.0                      | 15                              | 264       | 198       | 6.0        | 24.8 | 220/240 | 0.4                 | 1/12 | 220/240 |
| HDCF18-2  | 220/240      | 1  | 50 | 14.3                      | 20                              | 264       | 198       | 11.1       | 52   | 220/240 | 0.4                 | 1/12 | 220/240 |
| HDCF24-2  | 220/240      | 1  | 50 | 18.0                      | 30                              | 264       | 198       | 14.1       | 72   | 220/240 | 0.4                 | 1/12 | 220/240 |

\* May use fuses or HACR type Circuit Breakers of the same size as noted.

+ Wire size should be determined in accordance with Local Electrical Codes. Extensive wire runs will require larger wire sizes.

### Nominal Performance Rating

| Model     |           | 95F OD \ 80/67F ID<br>KCALH (BTUH) |                   |      | 115F OD \ 80/67F<br>ID KCALH (BTUH) |                   |      |
|-----------|-----------|------------------------------------|-------------------|------|-------------------------------------|-------------------|------|
| Outdoor   | Indoor    | Total                              | Sensible          | KWI  | Total                               | Sensible          | KWI  |
| HDCF12-2A | WMC12-2   | 3,025<br>(12,000)                  | 2,326<br>(9,230)  | 1.50 | 2,671<br>(10,600)                   | 2,056<br>(8,150)  | 1.75 |
| HDCF12-2A | *A18-00-2 | 2,872<br>(11,400)                  | 2,208<br>(8,760)  | 1.22 | 2,594<br>(10,300)                   | 1,990<br>(7,900)  | 1.44 |
| HDCF18-2  | WMC18-2   | 4,387<br>(17,400)                  | 3,377<br>(13,400) | 2.10 | 3,628<br>(14,400)                   | 3,402<br>(12,500) | 3.40 |
| HDCF18-2  | *A18-00-2 | 4,435<br>(17,600)                  | 3,276<br>(13,000) | 1.95 | 3,855<br>(15,300)                   | 3,061<br>(12,150) | 2.20 |
| HDCF18-2  | *A24-00-2 | 4,540<br>(18,000)                  | 3,453<br>(13,700) | 1.89 | 3,981<br>(15,800)                   | 3,024<br>(12,000) | 2.50 |
| HDCF24-2  | WMC24-2   | 5,496<br>(21,800)                  | 4,213<br>(16,720) | 3.10 | 4,737<br>(18,800)                   | 3,900<br>(15,500) | 3.40 |
| HDCF24-2  | *A24-00-2 | 5,796<br>(23,000)                  | 4,284<br>(17,000) | 2.87 | 5,040<br>(20,000)                   | 4,007<br>(15,900) | 3.12 |

EER = ENERGY EFFICIENCY RATIO = CAPACITY (BTUH) / KW INPUT

KWI = COMPRESSOR + INDOOR BLOWER + OUTDOOR FAN WATTS

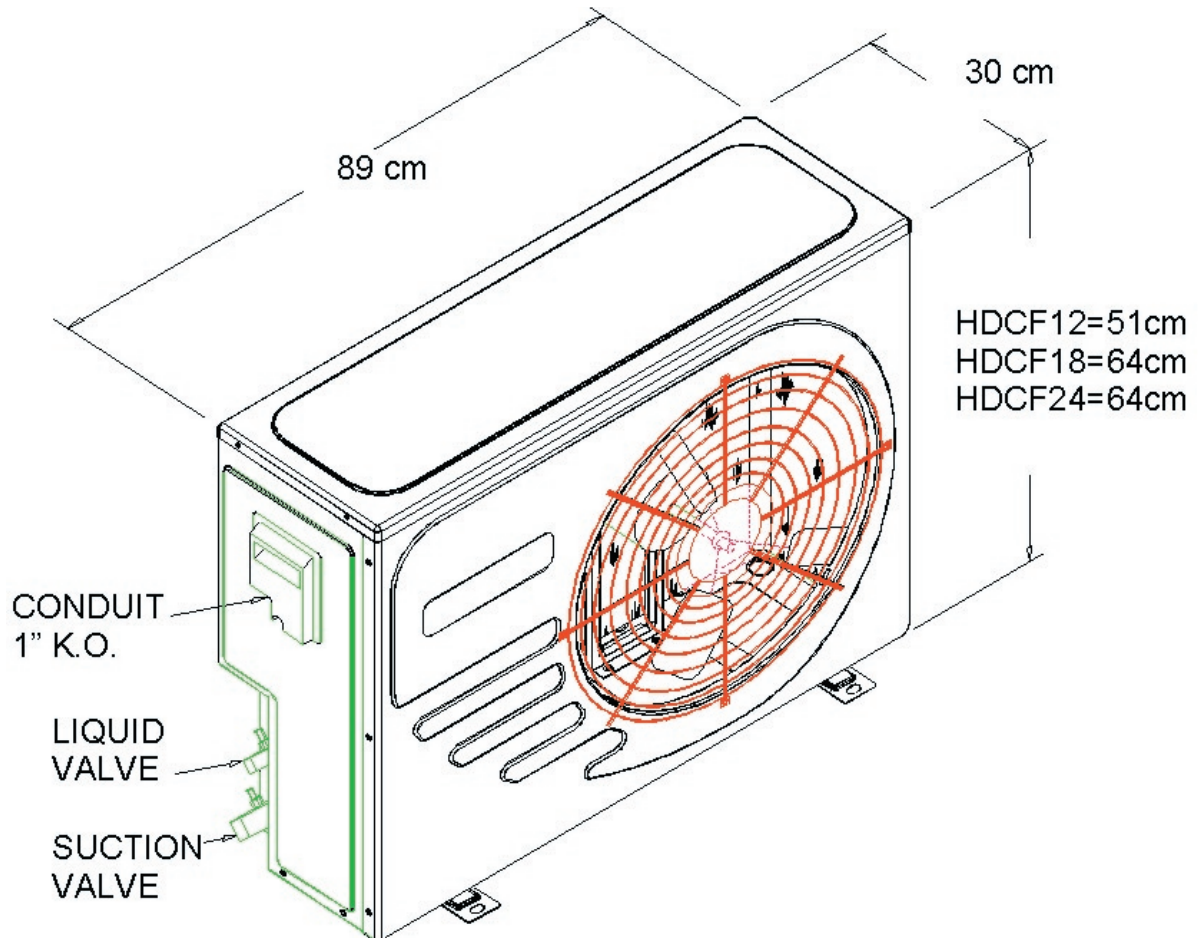
OD = OUTDOOR DRY BULB TEMPERATURE -DEGREE F

ID = INDOOR DRY BULB / WET BULB TEMPERATURE - DEGREE F

\* = CONTACT KIT REQUIRED FOR THESE MODELS

PRODUCT SPECIFICATIONS

Dimensions



# PRODUCT SPECIFICATIONS

## Wire Diagrams

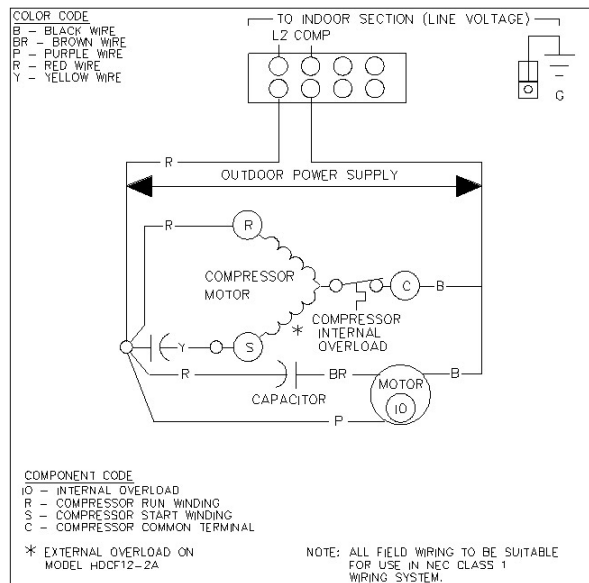


Figure 1 - Line Voltage Control Circuit (Typical Wiring for Use with Ductless Indoor Section)

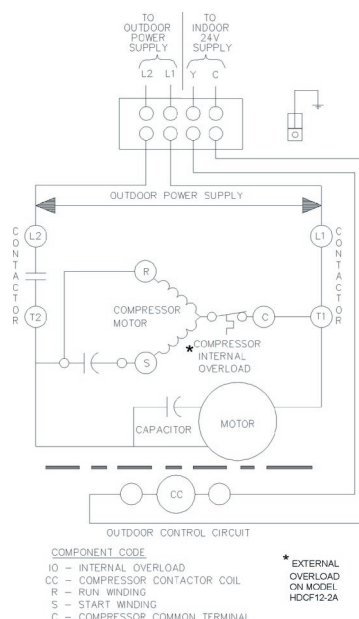


Figure 2 - Low Voltage Control Circuit (Typical Wiring for Use with Ducted Indoor Section)

### Quality Makes the Difference!

All of our systems are designed and manufactured with the same high-quality standards, regardless of size or efficiency. We have designed these units to significantly reduce the most frequent causes of product failure. They are simple to service and forgiving to operate. We use quality materials and components. Finally, every unit is run-tested before it leaves the factory. That's why we know...there's no better quality.

Visit our web site at  
[www.goodmanmfg.com](http://www.goodmanmfg.com) for information on:  
 Goodman Products • Customer Services • Parts

**Goodman Manufacturing Company, L.P.**  
 2550 North Loop West, Suite 400  
 Houston, Texas 77092 USA

Goodman Manufacturing Company, L.P., reserves the right to discontinue, or change at any time, specifications or designs without notice or without incurring obligations.  
 Copyright © 2003 Goodman Manufacturing Company, L.P. • Houston, Texas • Printed in the USA. • Goodman products are made proudly in the USA.