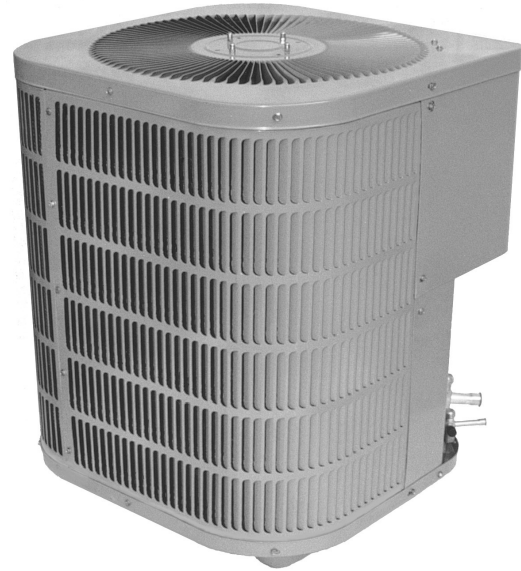


CKF SERIES
50 Hz

**Cooling Only
Condensing Unit**

Nominal Capacity:
36,000 to 70,000 BTUH
3 to 6 Ton
[10.6 kW to 20.5 kW]



This 50-Hz split system air conditioner allows for ground-level or rooftop applications and has been tested for optimum performance by an independent third party.

Standard Features

- Quiet-operating top discharge
- High-efficiency performance
- Brass suction and liquid line shut-off valves
- High-pressure manual reset control
- Copper tube, aluminum fin coils
- Factory-installed liquid line filter drier
- Sweat connections on all units
- Fully charged for 15' [4.57m] tubing length
- Totally enclosed, permanently lubricated condenser motor designed for PSC operation with internal thermal overload protection
- Isolated compressor compartment
- Energy-efficient compressor with internal overload protection
- Designed for use with evaporator blowers A-R series air handlers
- Designed for use with the AR series air handler; the AR series air handler may be located in a closet, utility room, attic or basement
- Independent third party performance tested with matching outdoor sections by ETL Testing Laboratories, Inc., per ARI Standard 210-240

Cabinet Construction

- Heavy-gauge, G-90 galvanized cabinet with removable access panels, completely weatherized, properly reinforced and braced
- Steel sheet metal is zinc-coated and galvanized by the hot-dip process
- Weather-resistant baked-on epoxy paint finish with 500-hour salt spray approval

Accessories

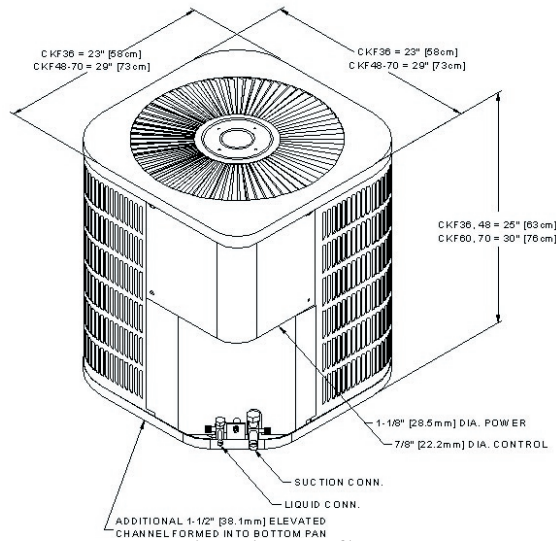
- Cooling-only room thermostat (CT18-60)
- Cooling/Heating room thermostat (CHT18-60)
- Cooling/Heating digital thermostat (CHT18-60-HD)

PRODUCT SPECIFICATIONS

Physical Data

	CKF36-2L/2LA CKF36-5L/5LA	CKF48-5L/5LA	CKF60-5L/5LA	CKF70-5L/5LA
Fan Diameter	18	18	22	22
Fan RPM	950	950	950	950
Coil Face Area Ft. ²	11.25	14.58	17.5	21.8
Coil Tube Diameter (in.)	3/8 [9.5mm]	3/8 [9.5mm]	3/8 [9.5mm]	3/8 [9.5mm]
Coil No. Rows/Fins Per Inch	1/18	1/20	1/20	1/20
Coil No. Of Tubes	22	20	24	30
Coil Fin Type	Rippled	Rippled	Rippled	Rippled
Refrigerant Connection Liquid	3/8 [9.5mm]	3/8 [9.5mm]	3/8 [9.5mm]	3/8 [9.5mm]
Refrigerant Connection Suction	3/4 [19mm]	7/8 [22.2mm]	7/8 [22.2mm]	7/8 [22.2mm]
Type	Sweat	Sweat	Sweat	Sweat
Shipping Weight (lbs.)	150 [68.1kg]	170 [77.2kg]	195 [88.5kg]	208 [94.4kg]

Dimensional Data



Performance Rating (@ Standard Airflow)

MODEL		95 °F [35 °C] D.B. Outdoor 80 °F [26.5 °C] D.B./67 °F [19.4 °C] W.B. Indoor BTUH					115 °F [46.1 °C] D.B. Outdoor 80 °F [26.5 °C] D.B./67 °F [19.4 °C] W.B. Indoor BTUH					Sound Power Level	
OUTDOOR	INDOOR	TOTAL [kw]	SENSIBLE [kw]	KWI	EER	TOTAL [kw]	SENSIBLE [kw]	KWI	EER	Sound Power Level			
CKF36-2L/2LA	A36-00-2R	32,300	[9.5]	21,700	[6.4]	3.80	8.5	28,400	[8.3]	20,400	[6.0]	4.18	76
CKF36-5L/5LA	A36-00-2R	32,300	[9.5]	21,700	[6.4]	3.80	8.5	28,400	[8.3]	20,400	[6.0]	4.18	76
CKF48-5L/5LA	A48-00-2R	39,100	[11.5]	26,800	[7.8]	4.30	9.0	34,400	[10.1]	25,200	[7.4]	4.78	76
CKF60-5L/5LA	A60-00-2R	53,900	[15.8]	36,200	[10.6]	5.80	9.2	45,300	[13.3]	34,000	[10.0]	6.44	78
CKF70-5LA	A60-00-2R	62,000	[18.2]	44,000	[12.9]	6.20	10.0	53,300	[15.6]	40,500	[11.9]	7.00	76
	A90-00-2R	65,000	[19.0]	42,250	[12.4]	6.20	10.2	55,000	[16.1]	40,150	[11.8]	7.20	
CKF70-5L	A60-00-2R	62,000	[18.2]	44,000	[12.9]	6.20	10.0	53,300	[15.6]	40,500	[11.9]	7.00	80
	A90-00-2R	65,000	[19.0]	42,250	[12.4]	6.20	10.2	55,000	[16.1]	40,150	[11.8]	7.20	

EER = ENERGY EFFICIENCY RATIO = CAPACITY (BTUH) / KW INPUT
 KWI = COMPRESSOR + INDOOR BLOWER+ OUTDOOR FAN WATTS
 COOLING PERFORMANCE BASED UPON STANDARD AIRFLOW CFM

Electrical Data

Model	Power Supply			*Minimum Circuit Ampacity	Maximum Overcurrent Protection	Maximum Volts	Minimum Volts	Compressor			Cond. Fan Motor		
	Volts	PH	HZ					RLA	LRA	Volts	FLA	HP	Volts
CKF36-2L	220/240	1	50	23.3	40	264	198	17.9	90	220/240	0.9	1/4	220/240
CKF36-2LA	220/240	1	50	23.3	40	264	198	17.9	97.4	220/240	0.9	1/4	220/240
CKF36-5L	380/415	3	50	8.3	15	456	342	6.0	39	380/415	0.8	1/4	380/460
CKF36-5LA	380/415	3	50	7.4	15	456	342	5.3	42	380/415	0.8	1/4	380/460
CKF48-5L	380/415	3	50	11.2	20	456	342	8.3	45	380/415	0.8	1/4	380/460
CKF48-5LA	380/415	3	50	10.1	15	456	342	7.4	50	380/415	0.8	1/4	380/460
CKF60-5L	380/415	3	50	13.7	20	456	342	10.3	62	380/415	0.8	1/4	380/460
CKF60-5LA	380/415	3	50	11.7	20	456	342	8.7	65	380/415	0.8	1/4	380/460
CKF70-5L	380/415	3	50	14.1	20	456	342	10.3	79	380/415	1.2	1/3	380/460
CKF70-5LA	380/415	3	50	12.5	20	456	342	9.0	74	380/415	1.2	1/3	380/460

*WIRE SIZE SHOULD BE IN ACCORDANCE WITH LOCAL ELECTRICAL CODES. EXTENSIVE WIRE RUNS WILL REQUIRE LARGER WIRE SIZE.

PRODUCT SPECIFICATIONS

Outdoor Unit CKF36-2L/2LA/5L/5LA

Indoor Unit A36-00-2R

INDOOR AIR		CONDENSER AIR TEMPERATURE														
SCFM	WB	75F			85F			95F			105F			115F		
		Total Mbtuh	Sens Mbtuh	Watts Kwh	Total Mbtuh	Sens Mbtuh	Watts Kwh	Total Mbtuh	Sens Mbtuh	Watts Kwh	Total Mbtuh	Sens Mbtuh	Watts Kwh	Total Mbtuh	Sens Mbtuh	Watts Kwh
915	72	37.5	16.3	3.57	35.9	15.6	3.76	33.9	15.0	3.91	32.0	14.3	4.10	30.0	13.7	4.29
	67	34.2	20.2	3.34	32.6	19.5	3.50	31.0	18.9	3.69	29.1	18.2	3.88	27.1	18.2	4.07
	62	31.7	23.9	3.12	30.0	23.2	3.31	29.2	22.6	3.50	28.4	21.9	3.69	26.8	21.0	3.84
	57	30.4	25.8	3.04	29.1	24.7	3.23	27.8	23.7	3.42	26.2	22.4	3.65	24.9	21.0	3.80
1077	72	39.1	18.0	3.69	37.1	17.4	3.84	35.2	16.7	4.03	33.3	16.3	4.22	31.0	15.4	4.41
	67	35.9	23.0	3.46	34.2	22.4	3.61	32.3	21.7	3.80	30.4	21.0	3.99	28.4	20.4	4.18
	62	33.3	27.6	3.27	31.7	26.7	3.42	30.0	25.6	3.61	28.7	24.3	3.80	27.1	23.0	4.03
	57	32.9	28.0	3.23	31.3	26.9	3.42	30.0	25.6	3.61	28.7	24.3	3.80	27.1	23.0	4.03
1238	72	40.1	19.5	3.76	38.1	18.9	3.91	36.2	18.2	4.10	33.9	17.6	4.29	32.0	17.1	4.48
	67	37.1	25.4	3.53	35.2	25.0	3.69	33.3	24.3	3.88	31.3	23.4	4.07	29.4	22.8	4.26
	62	34.9	29.7	3.38	33.6	28.4	3.57	31.7	27.1	3.76	30.4	25.8	3.95	28.4	24.3	4.18
	57	34.9	29.7	3.38	33.6	28.4	3.57	31.7	27.1	3.76	30.4	25.8	3.95	28.4	24.3	4.18

Sensible heat capacities shown are based on 80F DB entering air at the evaporator coil. For sensible heat capacities at other than 80F DB, deduct 84 BTUH per 100 CFM of evaporator coil air for each degree below 80F, or add 84 BTUH per 100 CFM of evaporator coil air per degree above 80F.

CAPACITIES AT 95F OUTDOOR., 75F DB AND 63F WB INDOOR
 TOTAL MBTUH 30.5 SENSIBLE MBTUH 20.3 LATENT MBTUH 10.2

Outdoor Unit CKF48-5L/5LA

Indoor Unit A48-00-2R

INDOOR AIR		CONDENSER AIR TEMPERATURE														
SCFM	WB	75F			85F			95F			105F			115F		
		Total Mbtuh	Sens Mbtuh	Watts Kwh	Total Mbtuh	Sens Mbtuh	Watts Kwh	Total Mbtuh	Sens Mbtuh	Watts Kwh	Total Mbtuh	Sens Mbtuh	Watts Kwh	Total Mbtuh	Sens Mbtuh	Watts Kwh
1108	72	45.4	20.1	4.08	43.4	19.3	4.30	41.1	18.5	4.47	38.7	17.7	4.69	36.4	16.9	4.91
	67	41.4	24.9	3.82	39.5	24.1	4.00	37.5	23.3	4.21	35.2	22.5	4.43	32.8	22.5	4.65
	62	38.3	29.5	3.56	36.4	28.7	3.78	35.4	27.9	4.00	34.4	27.1	4.21	32.5	26.0	4.39
	57	36.8	31.9	3.48	35.2	30.6	3.69	33.6	29.2	3.91	31.7	27.6	4.17	30.1	26.0	4.34
1303	72	47.3	22.2	4.21	45.0	21.4	4.39	42.6	20.6	4.61	40.3	20.1	4.82	37.5	19.0	5.04
	67	43.4	28.4	3.95	41.4	27.6	4.13	39.1	26.8	4.34	36.8	26.0	4.56	34.4	25.2	4.78
	62	40.3	34.0	3.74	38.3	33.0	3.91	36.4	31.6	4.13	34.8	30.0	4.34	32.8	28.4	4.61
	57	39.9	34.6	3.69	37.9	33.2	3.91	36.4	31.6	4.13	34.8	30.0	4.34	32.8	28.4	4.61
1499	72	48.5	24.1	4.30	46.1	23.3	4.47	43.8	22.5	4.69	41.1	21.7	4.91	38.7	21.2	5.13
	67	45.0	31.4	4.04	42.6	30.8	4.21	40.3	30.0	4.43	37.9	28.9	4.65	35.6	28.1	4.87
	62	42.2	36.7	3.87	40.7	35.1	4.08	38.3	33.5	4.30	36.8	31.9	4.52	34.4	30.0	4.78
	57	42.2	36.7	3.87	40.7	35.1	4.08	38.3	33.5	4.30	36.8	31.9	4.52	34.4	30.0	4.78

Sensible heat capacities shown are based on 80F DB entering air at the evaporator coil. For sensible heat capacities at other than 80F DB, deduct 84 BTUH per 100 CFM of evaporator coil air for each degree below 80F, or add 84 BTUH per 100 CFM of evaporator coil air per degree above 80F.

CAPACITIES AT 95F OUTDOOR., 75F DB AND 63F WB INDOOR
 TOTAL MBTUH 36.9 SENSIBLE MBTUH 25.2 LATENT MBTUH 11.7

Outdoor Unit CKF60-5L/5LA

Indoor Unit A60-00-2R

INDOOR AIR		CONDENSER AIR TEMPERATURE														
SCFM	WB	75F			85F			95F			105F			115F		
		Total Mbtuh	Sens Mbtuh	Watts Kwh	Total Mbtuh	Sens Mbtuh	Watts Kwh	Total Mbtuh	Sens Mbtuh	Watts Kwh	Total Mbtuh	Sens Mbtuh	Watts Kwh	Total Mbtuh	Sens Mbtuh	Watts Kwh
1527	72	62.5	27.2	5.51	59.8	26.1	5.80	56.6	25.0	6.03	53.4	23.9	6.33	50.1	22.8	6.62
	67	57.1	33.7	5.16	54.4	32.6	5.39	51.7	31.5	5.68	48.5	30.4	5.98	45.3	30.4	6.27
	62	52.8	39.8	4.80	50.1	38.7	5.10	48.8	37.6	5.39	47.4	36.6	5.68	44.7	35.1	5.92
	57	50.7	43.1	4.69	48.5	41.3	4.98	46.4	39.5	5.27	43.7	37.3	5.62	41.5	35.1	5.86
1797	72	65.2	30.0	5.68	62.0	29.0	5.92	58.8	27.9	6.21	55.5	27.2	6.50	51.7	25.7	6.80
	67	59.8	38.4	5.33	57.1	37.3	5.57	53.9	36.2	5.86	50.7	35.1	6.15	47.4	34.0	6.44
	62	55.5	46.0	5.04	52.8	44.5	5.27	50.1	42.7	5.57	48.0	40.5	5.86	45.3	38.4	6.21
	57	55.0	46.7	4.98	52.3	44.9	5.27	50.1	42.7	5.57	48.0	40.5	5.86	45.3	38.4	6.21
2066	72	66.8	32.6	5.80	63.6	31.5	6.03	60.4	30.4	6.33	56.6	29.3	6.62	53.4	28.6	6.91
	67	62.0	42.4	5.45	58.8	41.6	5.68	55.5	40.5	5.98	52.3	39.1	6.27	49.0	38.0	6.56
	62	58.2	49.6	5.21	56.1	47.4	5.51	52.8	45.3	5.80	50.7	43.1	6.09	47.4	40.5	6.44
	57	58.2	49.6	5.21	56.1	47.4	5.51	52.8	45.3	5.80	50.7	43.1	6.09	47.4	40.5	6.44

Sensible heat capacities shown are based on 80F DB entering air at the evaporator coil. For sensible heat capacities at other than 80F DB, deduct 84 BTUH per 100 CFM of evaporator coil air for each degree below 80F, or add 84 BTUH per 100 CFM of evaporator coil air per degree above 80F.

CAPACITIES AT 95F OUTDOOR., 75F DB AND 63F WB INDOOR
 TOTAL MBTUH 50.9 SENSIBLE MBTUH 33.9 LATENT MBTUH 17.0

PRODUCT SPECIFICATIONS

Outdoor Unit CKF70-5L/5LA

Indoor Unit A60-00-2R

INDOOR AIR		CONDENSER AIR TEMPERATURE														
		75F			85F			95F			105F			115F		
SCFM	WB	Total	Sens	Watts	Total	Sens	Watts	Total	Sens	Watts	Total	Sens	Watts	Total	Sens	Watts
		Mbtuh	Mbtuh	Kwh	Mbtuh	Mbtuh	Kwh	Mbtuh	Mbtuh	Kwh	Mbtuh	Mbtuh	Kwh	Mbtuh	Mbtuh	Kwh
1757	72	71.9	33.0	5.83	68.8	31.7	6.14	65.1	30.4	6.39	61.4	29.0	6.70	57.7	27.7	7.01
	67	65.7	40.9	5.46	62.6	39.6	5.70	59.5	38.3	6.01	55.8	37.0	6.32	52.1	37.0	6.63
	62	60.8	48.4	5.08	57.7	47.1	5.39	56.1	45.8	5.70	54.6	44.4	6.01	51.5	42.7	6.26
	57	58.3	52.4	4.96	55.8	50.2	5.27	53.3	48.0	5.58	50.2	45.3	5.95	47.7	42.7	6.20
2067	72	75.0	36.5	6.01	71.3	35.2	6.26	67.6	33.9	6.57	63.9	33.0	6.88	59.5	31.2	7.19
	67	68.8	46.6	5.64	65.7	45.3	5.89	62.0	44.0	6.20	58.3	42.7	6.51	54.6	41.4	6.82
	62	63.9	55.9	5.33	60.8	54.1	5.58	57.7	51.9	5.89	55.2	49.3	6.20	52.1	46.6	6.57
	57	63.2	56.8	5.27	60.1	54.6	5.58	57.7	51.9	5.89	55.2	49.3	6.20	52.1	46.6	6.57
2377	72	76.9	39.6	6.14	73.2	38.3	6.39	69.4	37.0	6.70	65.1	35.6	7.01	61.4	34.8	7.32
	67	71.3	51.5	5.77	67.6	50.6	6.01	63.9	49.3	6.32	60.1	47.5	6.63	56.4	46.2	6.94
	62	67.0	60.3	5.52	64.5	57.6	5.83	60.8	55.0	6.14	58.3	52.4	6.45	54.6	49.3	6.82
	57	67.0	60.3	5.52	64.5	57.6	5.83	60.8	55.0	6.14	58.3	52.4	6.45	54.6	49.3	6.82

Sensible heat capacities shown are based on 80F DB entering air at the evaporator coil. For sensible heat capacities at other than 80F DB, deduct 84 BTUH per 100 CFM of evaporator coil air for each degree below 80F, or add 84 BTUH per 100 CFM of evaporator coil air per degree above 80F.

CAPACITIES AT 95F OUTDOOR., 75F DB AND 63F WB INDOOR
 TOTAL MBTUH 58.5 SENSIBLE MBTUH 41.7 LATENT MBTUH 16.9

Outdoor Unit CKF70-5L/5LA

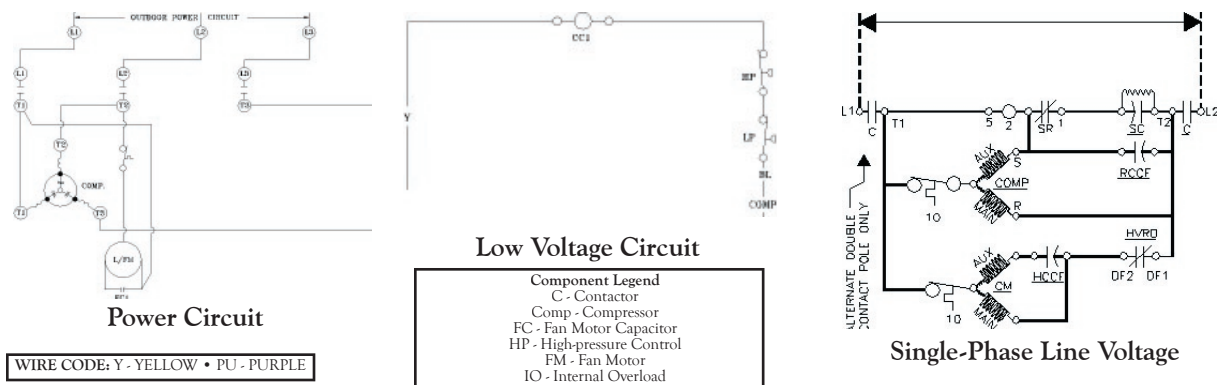
Indoor Unit A90-00-2

INDOOR AIR		CONDENSER AIR TEMPERATURE														
		75F			85F			95F			105F			115F		
SCFM	WB	Total	Sens	Watts	Total	Sens	Watts	Total	Sens	Watts	Total	Sens	Watts	Total	Sens	Watts
		Mbtuh	Mbtuh	Kwh	Mbtuh	Mbtuh	Kwh	Mbtuh	Mbtuh	Kwh	Mbtuh	Mbtuh	Kwh	Mbtuh	Mbtuh	Kwh
1842	72	75.4	31.7	5.99	72.2	30.4	6.31	68.3	29.2	6.56	64.4	27.9	6.88	60.5	26.6	7.20
	67	68.9	39.3	5.61	65.7	38.0	5.86	62.4	36.8	6.18	58.5	35.5	6.50	54.6	35.5	6.82
	62	63.7	46.5	5.23	60.5	45.2	5.54	58.8	43.9	5.86	57.2	42.7	6.18	54.0	41.0	6.44
	57	61.1	50.3	5.10	58.5	48.2	5.42	55.9	46.1	5.74	52.7	43.5	6.12	50.1	41.0	6.37
2167	72	78.7	35.1	6.18	74.8	33.8	6.44	70.9	32.5	6.75	67.0	31.7	7.07	62.4	30.0	7.39
	67	72.2	44.8	5.80	68.9	43.5	6.05	65.0	42.3	6.37	61.1	41.0	6.69	57.2	39.7	7.01
	62	67.0	53.7	5.48	63.7	52.0	5.74	60.5	49.9	6.05	57.9	47.3	6.37	54.6	44.8	6.75
	57	66.3	54.5	5.42	63.1	52.4	5.74	60.5	49.9	6.05	57.9	47.3	6.37	54.6	44.8	6.75
2492	72	80.6	38.0	6.31	76.7	36.8	6.56	72.8	35.5	6.88	68.3	34.2	7.20	64.4	33.4	7.52
	67	74.8	49.4	5.93	70.9	48.6	6.18	67.0	47.3	6.50	63.1	45.6	6.82	59.2	44.4	7.14
	62	70.2	57.9	5.67	67.6	55.3	5.99	63.7	52.8	6.31	61.1	50.3	6.63	57.2	47.3	7.01
	57	70.2	57.9	5.67	67.6	55.3	5.99	63.7	52.8	6.31	61.1	50.3	6.63	57.2	47.3	7.01

Sensible heat capacities shown are based on 80F DB entering air at the evaporator coil. For sensible heat capacities at other than 80F DB, deduct 84 BTUH per 100 CFM of evaporator coil air for each degree below 80F, or add 84 BTUH per 100 CFM of evaporator coil air per degree above 80F.

CAPACITIES AT 95F OUTDOOR., 75F DB AND 63F WB INDOOR
 TOTAL MBTUH 61.4 SENSIBLE MBTUH 39.2 LATENT MBTUH 22.1

Schematic Wiring Diagram



Quality Makes the Difference!

All of our systems are designed and manufactured with the same high-quality standards, regardless of size or efficiency. We have designed these units to significantly reduce the most frequent causes of product failure. They are simple to service and forgiving to operate. We use quality materials and components. Finally, every unit is run-tested before it leaves the factory. That's why we know...there's no better quality.

Visit our web site at
www.goodmanmfg.com for information on:
 Goodman Products • Customer Services • Parts

Goodman Manufacturing Company, L.P.
 2550 North Loop West, Suite 400
 Houston, TX 77092
 USA

Goodman Manufacturing Company, L.P., reserves the right to discontinue, or change at any time, specifications or designs without notice or without incurring obligations.
 Copyright © 2003 Goodman Manufacturing Company, L.P. • Houston, Texas • Printed in the USA. • Goodman products are made proudly in the USA.