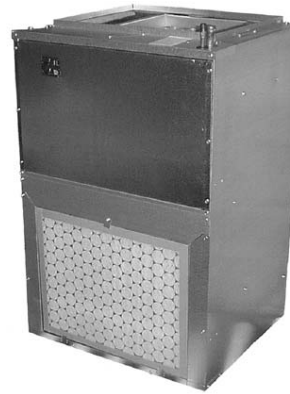


AWB SERIES

**Vertical Electric
Heat Air Handler**

1½ to 3 Ton



Large Chassis



Small Chassis

The AWB vertical stud- or wall-mount electric heat air handler features a direct-drive, multi-speed motor (to permit air volume flexibility) and fully insulated, galvanized steel construction.

Standard Features

- Small Chassis front or bottom return
- Large Chassis front return only
- Direct-drive, multi-speed motor permits air volume flexibility
- Equipped with a check flowrater for cooling only and heat pump operation
- Thermoplastic drain pan with bottom primary and secondary drain connections
- Sequence-controlled, rust-resistant nickel chromium heating elements in 4.8, 7.3 and 9.8 kW
- Equipped with electrical pull-type disconnect
- Built-in filter rack (filter included)
- Wall-hanging bracket included

System Compatibilities

- TWC (10 SEER) wall-mount condensing unit
- CK/CKL (10 SEER) upflow condensing unit
- CPKE/CPL (10 SEER) upflow heat pump condensing unit
- CKJ/CLJ (12 SEER) upflow condensing unit
- CPKJ/CPLJ (12 SEER) upflow heat pump condensing unit

Cabinet Construction

- Galvanized-steel cabinet construction
- Fully insulated cabinet

Accessories

- Wall access doors:
 - Wad-1 fits AWB18, AWB24 and AWB30
 - Wad-2 fits AWB36



PRODUCT SPECIFICATIONS

Specifications

Model	Refrigerant Connection Line		Type	Shipping Weight (pounds)
	Liquid	Suction		
AWB18-05D	3/8"	5/8"	Sweat	81
AWB18-08D	3/8"	5/8"	Sweat	81
AWB24-05D	3/8"	5/8"	Sweat	84
AWB24-08D	3/8"	5/8"	Sweat	84
AWB24-10D	3/8"	5/8"	Sweat	84
AWB30-05D	3/8"	5/8"	Sweat	84
AWB30-08D	3/8"	5/8"	Sweat	84
AWB30-10D	3/8"	5/8"	Sweat	84
AWB36-05DFR	3/8"	3/4"	Sweat	96
AWB36-08DFR	3/8"	3/4"	Sweat	96
AWB36-10DFR	3/8"	3/4"	Sweat	96

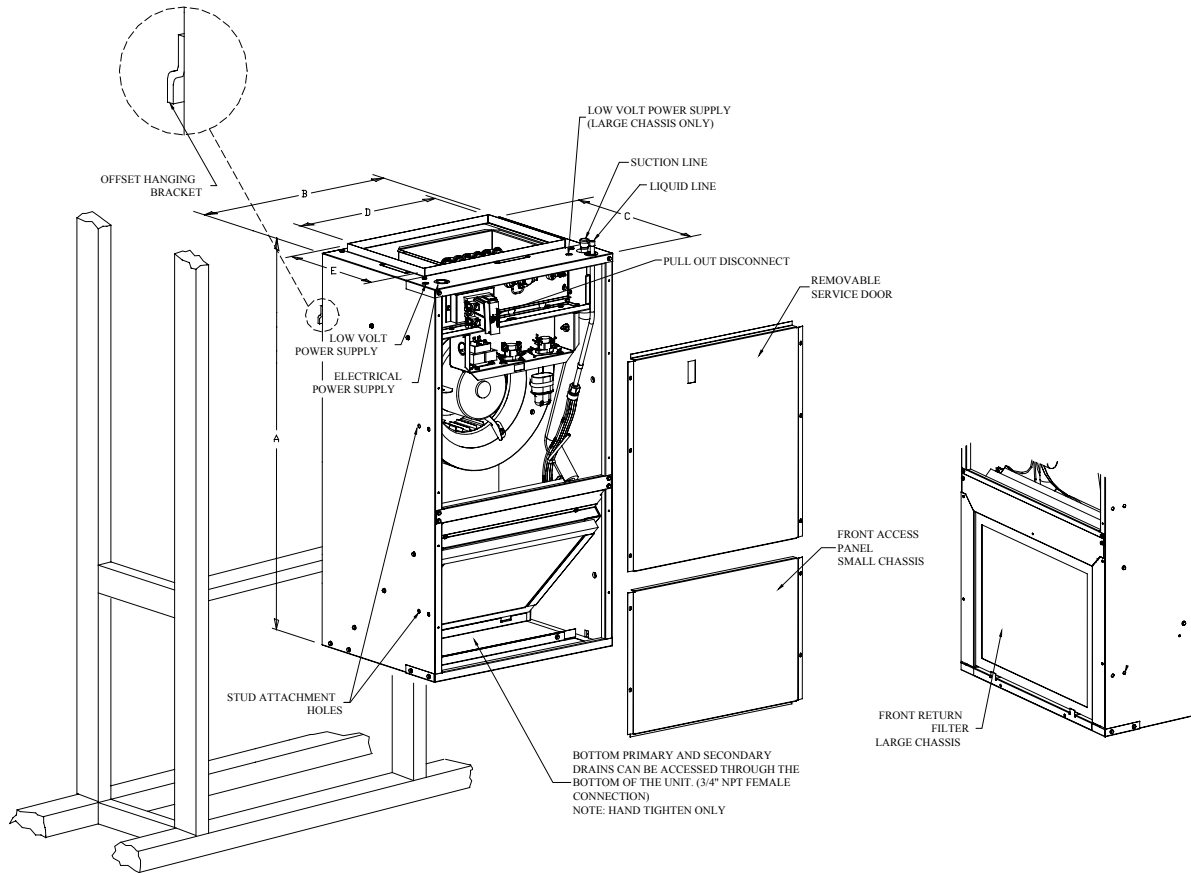
Electrical Data

Model	Capacity Tons Cooling	Capacity BTUH Heating		Heater Total Amps		Minimum Circuit Ampacity		Maximum Overcurrent Protection	
	240V	240V	208V	240V	208V	240V	208V	240V	208V
AWB18-05D	1½	17,647	13,326	20.0	17.3	26.9	23.5	30	30
AWB18-08D	1½	26,177	19,468	30.4	26.0	40.0	34.3	40	40
AWB24-05D	2	17,647	13,326	20.0	17.3	26.9	23.5	30	30
AWB24-08D	2	26,177	19,468	30.4	26.0	40.0	34.3	40	40
AWB24-10D	2	34,707	25,951	40.8	35.1	53.0	45.7	60	50
AWB30-05D	2½	18,261	14,199	20.0	17.3	27.6	23.8	30	30
AWB30-08D	2½	26,791	20,341	30.4	26.0	40.6	34.6	50	40
AWB30-10D	2½	35,321	26,824	40.8	35.1	53.7	46.0	60	50
AWB36-05DFR	3	18,261	14,199	20.0	17.3	27.6	23.8	30	30
AWB36-08DFR	3	26,791	20,341	30.4	26.0	40.6	34.6	50	40
AWB36-10DFR	3	35,321	26,824	40.8	35.1	53.7	46.0	60	50

PRODUCT SPECIFICATIONS

Dimensions

	A	B	C	D	E	Filter
Small Chassis (AWB18/24/30)	36"	20 ³ / ₁₆ "	16 ⁷ / ₈ "	16"	11"	14" x 18" x 1"
Large Chassis (AWB36)	36"	24"	21"	19 ⁷ / ₈ "	15 ⁵ / ₈ "	16" x 20" x 1"



PRODUCT SPECIFICATIONS

Blower Performance (1) (2)

Model	Motor Speed	CFM Delivered Against External Static Pressure				
		.1	.2	.3	.4	.5
AWB18	High	837	787	734	665	587
	Low	821	771	718	658	569
AWB24	High	908	870	833	790	734
	Low	877	840	799	752	692
AWB30	High	1,113	1,066	1,019	968	907
	Low	963	934	901	859	806
AWB36	High	1,278	1,191	1,107	1,012	931
	Low	1,171	1,102	1,028	949	887

Heating Capacity Correction Factor (3)

Supply Voltage	240	230	220	210	208
Correction Factor	1.00	.92	.84	.76	.74

- (1) Dry coil with filter in place
- (2) 208 volt operation x .96.
- (3) Multiply 240 volt capacity by correction factor.
- [] Brackets denote metric equivalents



Goodman Manufacturing Company, L.P., reserves the right to discontinue, or change at any time, specifications or designs without notice or without incurring obligations.
 Copyright © 2004 Goodman Manufacturing Company, L.P. • Houston, Texas • Printed in the USA. • Goodman® brand products are made proudly in the USA.